



Series 1163

Zetco AGA Approved
Brass Ball Valve F&F
Lockable Stainless Steel
Lever Handle

FEATURES

MANUFACTURED IN ITALY

FULL BORE

AUSTRALIAN GAS ASSOCIATION APPROVAL #5301

LOCKABLE HANDLE ALLOWS VALVE TO BE LOCKED IN OPEN OR CLOSED POSITION

HANDLE IS TAMPER-PROOF WHEN LOCKED

BLOW-OUT PROOF STEM

MUST BE OPERATED IN FULLY OPEN OR CLOSED POSITION

ALL VALVES PRESSURE TESTED DURING PRODUCTION

SIZE RANGE: 15MM TO 100MM

PRESSURE AND TEMPERATURE RATINGS

TEMPERATURE RANGE: -20°C TO 99°C

MAXIMUM OPERATING PRESSURE AT NOMINAL TEMPERATURES:

FLUIDS 15MM TO 25MM: 4000 kPa

32MM TO 50MM: 2500 kPa

65MM TO 100MM: 2000 kPa

GAS 2100 kPa

BIM-MED^{AUS}



AGA 5301 G
AS 4617

V.00

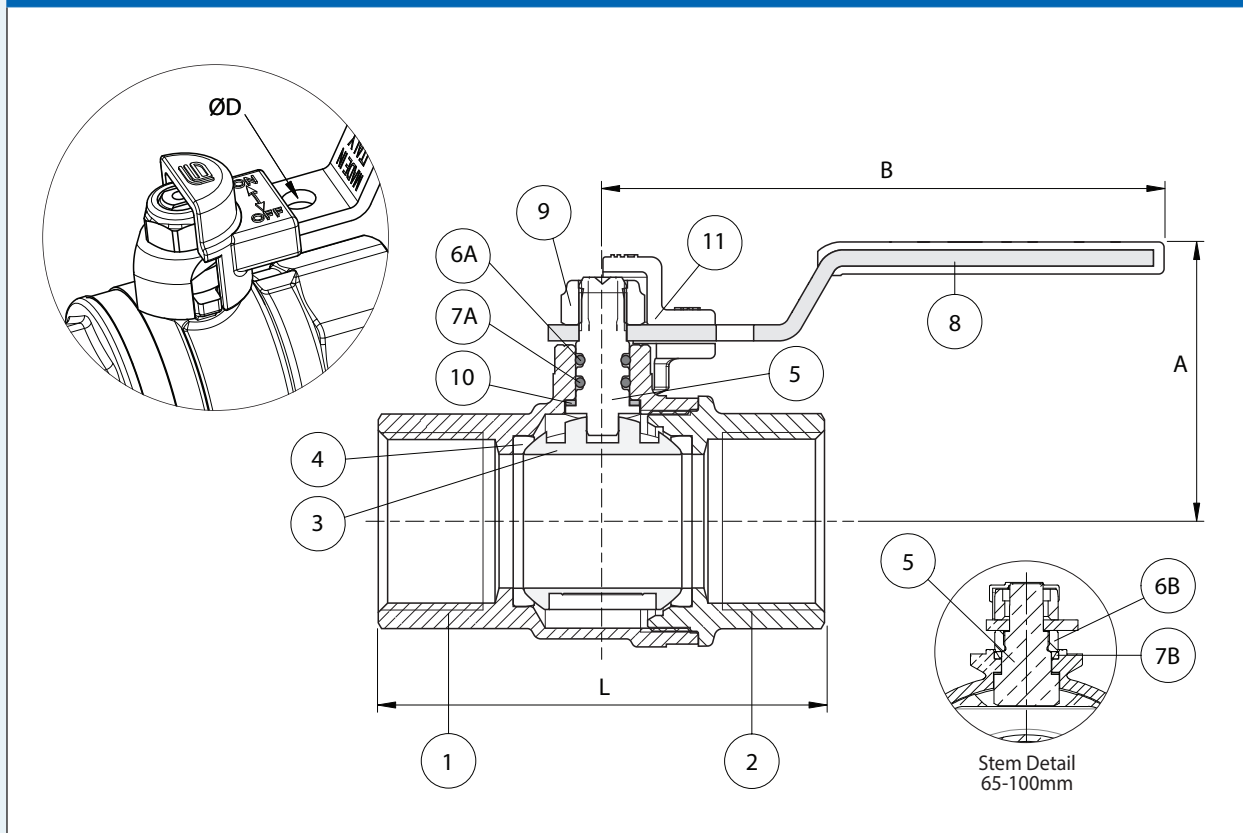
Series 1163

Zetco AGA Approved Brass Ball Valve

F&F Lockable Stainless Steel Lever Handle



DIMENSIONAL AND COMPONENT DIAGRAM



MATERIALS

POS.	PART NAME	MATERIALS
1	BODY	BRASS
2	END ADAPTOR	BRASS
3	BALL	BRASS (CHROME PLATED)
4	SEAL	PTFE
5	STEM	BRASS
6A	UPPER O-RING	HNBR
7A	LOWER O-RING	EPDM PEROXIDE
6B	GLAND NUT	BRASS
7B	CONICAL SEAL	PTFE
8	HANDLE	STAINLESS STEEL 316
9	NUT	STAINLESS STEEL 316
10	THRUST WASHER	PTFE
11	LOCKING MECHANISM	STAINLESS STEEL 316

DIMENSIONS - mm

Prod. Code	Size	A	B	L	ØD	Kv	Wgt kg
1163015	15	40	89	61	6	15	0.213
1163020	20	46	105	69	7	28	0.357
1163025	25	52	105	83	7	39	0.490
1163032	32	63	130	97	8	84	0.843
1163040	40	69	130	107	8	156	1.31
1163050	50	83	165	129	9	243	2.20
1163065	65	106	253	159	9	476	4.36
1163080	80	117	253	183	9	770	6.36
1163100	100	130	253	219	9	1200	9.74