



## Series 2602

Zetco AGA Approved  
Cast Iron  
Flanged Underground  
Ball Valve

### FEATURES

MANUFACTURED IN ITALY
FITTED WITH ADAPTOR MAKING IT SUITABLE FOR UNDERGROUND INSTALLATION
DESIGNED TO BE OPERATED WITH UNDERGROUND KEY (REFER SERIES 2502)
DUCTILE IRON BODY AND FLANGE
FULL BORE
AUSTRALIAN GAS ASSOCIATION APPROVAL #6633
DOUBLE O-RINGS IN THE STEM GUARANTEE A DYNAMIC SEAL
BLOW-OUT PROOF STEM
CARBON-REINFORCED PTFE BALL SEALS GUARANTEE CONSISTENT TORQUE
FOR BURIED INSTALLATIONS, VALVE MUST BE COMPLETELY WRAPPED IN DENSO® TAPE
FLANGES ARE DRILLED TO CLIENT SPECIFICATIONS
MUST BE OPERATED IN FULLY OPEN OR CLOSED POSITION
ALL VALVES PRESSURE TESTED DURING PRODUCTION
SIZE RANGE: 50MM TO 150MM

### PRESSURE AND TEMPERATURE RATINGS

TEMPERATURE RANGE: -10°C TO 70°C
MAXIMUM OPERATING PRESSURE AT NOMINAL TEMPERATURES: 1600 kPa



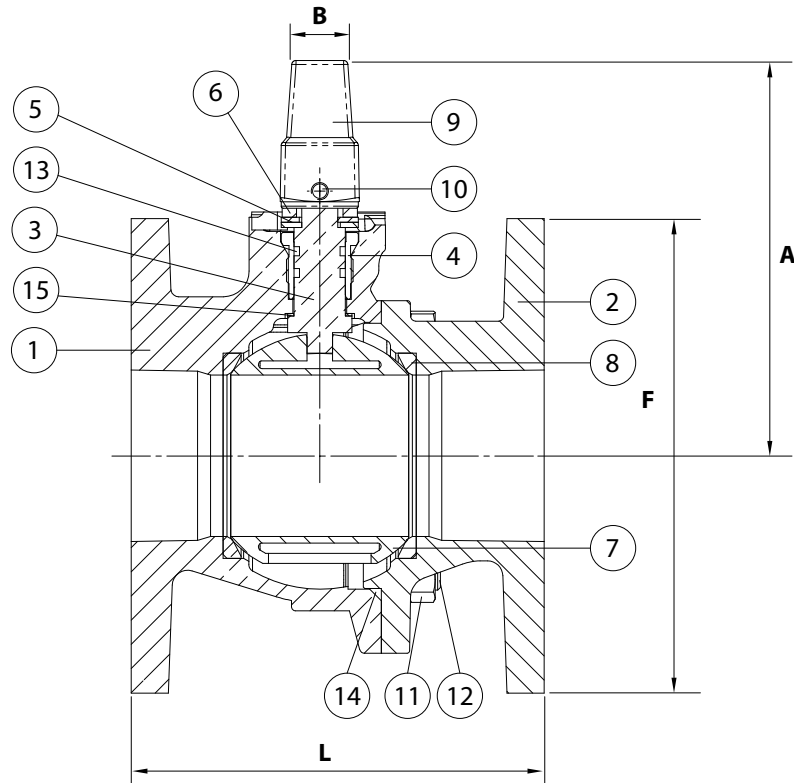
AGA 6633  
AS 4617

# Series 2602

Zetco AGA Approved Cast Iron  
Flanged Underground Ball Valve



## DIMENSIONAL AND COMPONENT DIAGRAM



### MATERIALS

POS.	PART NAME	MATERIALS
1	BODY	DUCTILE IRON
2	FLANGE	DUCTILE IRON
3	STEM	BRASS
4	GLAND NUT	BRASS
5	STOPPER PLATE	STAINLESS STEEL 304
6	WASHER	STAINLESS STEEL 304
7	BALL	BRASS (CHROME PLATED)
8	SEAL	PTFE + CARBON
9	ADAPTER	CAST IRON
10	SET SCREW	STAINLESS STEEL 304
11	NUT	STAINLESS STEEL 304
12	BOLT	STAINLESS STEEL 304
13	O-RING	NBR
14	O-RING	NBR
15	THRUST WASHER	PTFE

### DIMENSIONS - mm

Prod. Code	Size	A	B	L	F	Wgt kg
2602050	50	156	26	140	165	8.50
2602065	65	164	26	161	185	11.50
2602080	80	187	26	171	200	15.50
2602100	100	202	26	181	220	20.00
2602125	125	236	26	191	250	30.00
2602150	150	254	26	200	285	36.00