



Series 2601

Zetco AGA Approved
Cast Iron Flanged
Ball Valve 200mm

FEATURES

MANUFACTURED IN ITALY
CAST IRON BODY AND FLANGE
NOT SUITABLE FOR BURIED INSTALLATIONS
FULL BORE
AUSTRALIAN GAS ASSOCIATION APPROVAL #6633
DOUBLE O-RINGS IN THE STEM GUARANTEE A DYNAMIC SEAL
BLOW-OUT PROOF STEM
FITTED WITH LOCKABLE HANDLE OPTION
CARBON-REINFORCED PTFE BALL SEALS GUARANTEE CONSISTENT TORQUE
FLANGES ARE DRILLED TO CLIENT SPECIFICATIONS
MUST BE OPERATED IN FULLY OPEN OR CLOSED POSITION
ALL VALVES PRESSURE TESTED DURING PRODUCTION
SIZE: 200MM

PRESSURE AND TEMPERATURE RATINGS

TEMPERATURE RANGE: -10°C TO 70°C
MAXIMUM OPERATING PRESSURE AT NOMINAL TEMPERATURES: 1600 kPa



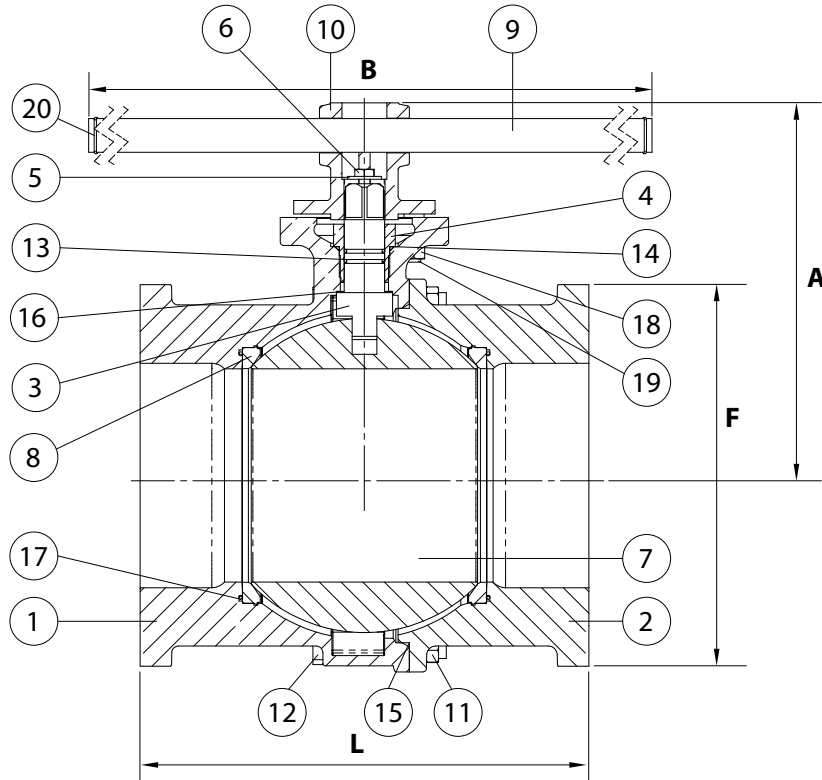
AGA 6633
AS 4617

Series 2601

Zetco AGA Approved Cast Iron
Flanged Ball Valve 200mm



DIMENSIONAL AND COMPONENT DIAGRAM



MATERIALS

POS.	PART NAME	MATERIALS
1	BODY	CAST IRON
2	FLANGE	CAST IRON
3	STEM	BRASS
4	GLAND NUT	BRASS
5	WASHER	STAINLESS STEEL 304
6	BOLT	STAINLESS STEEL 304
7	BALL	CAST IRON (CHROME PLATED)
8	SEAL	PTFE + CARBON
9	LEVER	ZINC PLATED STEEL
10	LEVER HUB	DUCTILE IRON
11	NUT	STAINLESS STEEL 304
12	BOLT	STAINLESS STEEL 304
13	O-RING	NBR
14	O-RING	NBR
15	O-RING	NBR
16	THRUST WASHER	PTFE
17	O-RING	NBR
18	LEVER STOP NUT	STAINLESS STEEL 304
19	LEVER STOP BOLT	STAINLESS STEEL 304
20	O-RING	NBR

DIMENSIONS - mm

Prod. Code	Size	A	B	L	F	Kv	Wgt kg
2601200	200	332	1000	392	340	5957	93.00