

2 WAY VALVES

2/2

HIGH CORROSION RESISTANT VALVES  
(316L STAINLESS STEEL)  
MAGNALIFT



Commercial Equipment



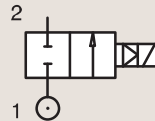
Medical / Instrumentation



Industrial Equipment

3 16L STAINLESS ST.  
PIPE MOUNTING

NORMALLY CLOSED



Port size	Orifice Ø	Flow factors			Operating Pressure Differential			Fluid Temp.		Seat Seal	Parker Valves			Power		Coil Group	Dwg. No.
		Kv l/min	Kv m³/h	Qn l/min	Min	Max	AC bar	DC bar	Min		Max	Valve Ref.	Housing Ref.	Coil Ref.	AC W		
3/8"	15	40	2.4	-	0	10	-	-10	85	EPDM	221S10E	2995	481865	8	-	2.0	067
	15	40	2.4	-	0	10	7	-10	140	EPDM	221S10E <sub>1</sub>	4270	486265	14	14	2.0	067
	15	40	2.4	-	0	10	-	-10	85	FKM	221S10F	2995	481865	8	-	2.0	067
	15	40	2.4	-	0	10	7	-10	85	FKM	221S10F <sub>1</sub>	4270	486265	14	14	2.0	067
1/2"	15	50	3	-	0	10	-	-10	85	EPDM	221S15E	2995	481865	8	-	2.0	068
	15	50	3	-	0	10	7	-10	140	EPDM	221S15E <sub>1</sub>	4270	486265	14	14	2.0	068
	15	50	3	-	0	10	-	-10	85	FKM	221S15F	2995	481865	8	-	2.0	068
3/4"	15	50	3	-	0	10	7	-10	85	FKM	221S15F <sub>1</sub>	4270	486265	14	14	2.0	068
	24	95	5.7	-	0	10	-	-10	85	EPDM	221S20E	2995	481865	8	-	2.0	069
	24	95	5.7	-	0	10	7	-10	140	EPDM	221S20E <sub>1</sub>	4270	486265	14	14	2.0	069
	24	95	5.7	-	0	10	-	-10	85	FKM	221S20F	2995	481865	8	-	2.0	069
	24	95	5.7	-	0	10	7	-10	85	FKM	221S20F <sub>1</sub>	4270	486265	14	14	2.0	069

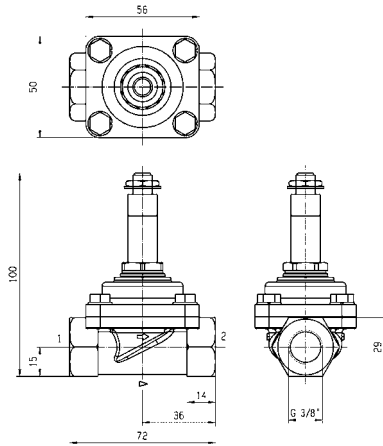
Notes:

1. Maximum pressure for steam: 4 Bar (140°C)

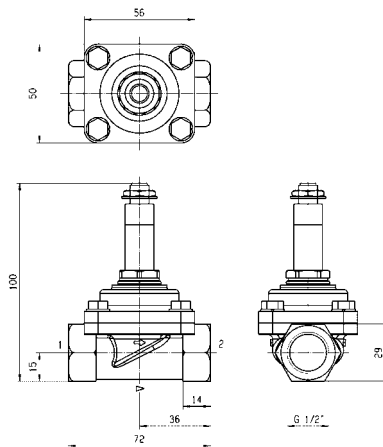
## 2 WAY VALVES



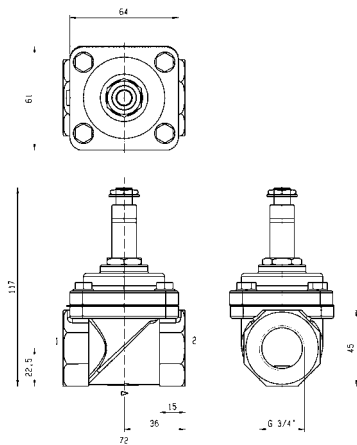
For this page	Port size	Orifice (mm)	Kv (l/min)	MCPD (bar)	Fluid Temp (°C)	Amb Temp (°C)
From	3/8"	15	40	7	-10	-10
To	3/4"	24	95	10	140	50



Drawing 067



Drawing 068



Drawing 069