

GAS FILTER 1/2", 3/4", 1" – Pmax 6 bar



Code	Description	Dimension	Pmax
GF015	Gas filter	1/2"	6 bar
GF020	Gas filter	3/4"	6 bar
GF025	Gas filter	1"	6 bar
GFD25	Gas filter	DN25	6 bar
GF015-TPIO	Gas filter with test point in/out	1/2"	6 bar
GF020-TPIO	Gas filter with test point in/out	3/4"	6 bar
GF025-TPIO	Gas filter with test point in/out	1"	6 bar
GFD25-TPIO	Gas filter with test point in/out	DN25	6 bar
GF015-SP	Gas filter with screw plugs	1/2"	6 bar
GF020-SP	Gas filter with screw plugs	3/4"	6 bar
GF025-SP	Gas filter with screw plugs	1"	6 bar
GFD25-SP	Gas filter with screw plugs	DN25	6 bar

TECHNICAL FEATURES

Operation maximum pressure	6 bar
Working Temperature	- 20 °C – + 60 °C
Filtration	50 Micron
Use	Non – aggressive gases – Family 1 – 2 – 3 and air
Cartridge element	Viledon cartridge
Inlet - Outlet Connection	Thread gas 1/2" – 3/4" 1" – ISO 228 DN25 - Sliding Aluminium flange PN10
Complete Body	Die – Cast Aluminium Gd – AISi12Cu – EN AB 46100
Seals	NBR
Approval	PED

Optional:

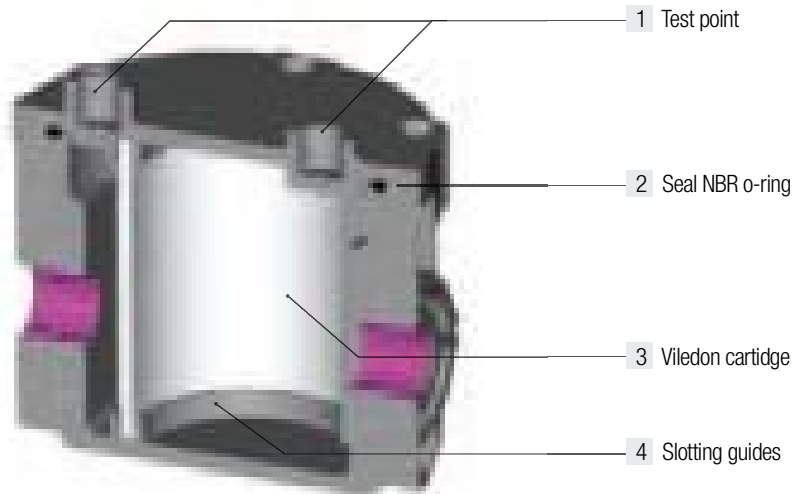
- Test point – NPT 1/4"

- Screw – NPT 1/4"

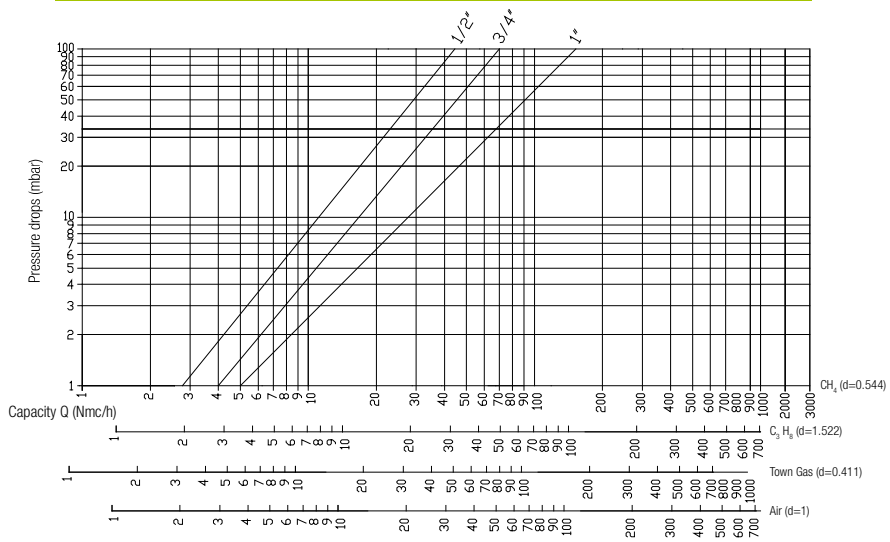
- Peters plug

- Manometer

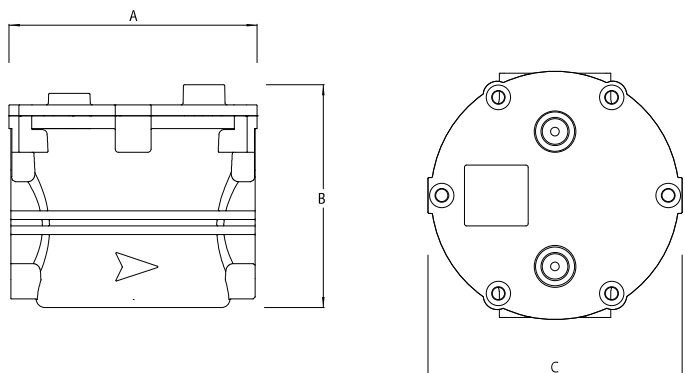
- DP clogging indicator



FLOW CHART



DIMENSIONS (mm) and WEIGHT (kgs)				
Dimension	A	B	C	Weight
1/2"	114	105.5	118.5	0,806
3/4"	114	105.5	118.5	0,795
1"	114	105.5	118.5	0,786



GAS FILTER 1 ¼”, 1 ½” and 2” – Pmax 6 bar



Code	Description	Dimension	Pmax
GF032	Gas filter	1 ¼”	6 bar
GF040	Gas filter	1 ½”	6 bar
GF050	Gas filter	2”	6 bar
GFD32	Gas filter	DN32	6 bar
GFD40	Gas filter	DN40	6 bar
GFD50	Gas filter	DN50	6 bar

GF032-TPIO	Gas filter with test point in/out	1 ¼”	6 bar
GF040-TPIO	Gas filter with test point in/out	1 ½”	6 bar
GF050-TPIO	Gas filter with test point in/out	2”	6 bar
GFD32-TPIO	Gas filter with test point in/out	DN32	6 bar
GFD40-TPIO	Gas filter with test point in/out	DN40	6 bar
GFD50-TPIO	Gas filter with test point in/out	DN50	6 bar

GF032-SP	Gas filter with screw plugs	1 ¼”	6 bar
GF040-SP	Gas filter with screw plugs	1 ½”	6 bar
GF050-SP	Gas filter with screw plugs	2”	6 bar
GFD32-SP	Gas filter with screw plugs	DN32	6 bar
GFD40-SP	Gas filter with screw plugs	DN40	6 bar
GFD50-SP	Gas filter with screw plugs	DN50	6 bar

TECHNICAL FEATURES

Operation maximum pressure	6 bar
Working Temperature	- 20 °C – + 60 °C
Filtration	50 Micron
Use	Non – aggressive gases – Family 1 – 2 – 3 and air
Cartridge element	Viledon cartridge
Inlet - Outlet Connection	Thread gas 1 ¼” 1 ½” 2” – ISO 228 DN32 DN40 DN50 - Sliding Aluminium flange PN10
Complete Body	Die – Cast Aluminium Gd – AISi12Cu - EN AB 46100
Seals	NBR
Approval	PED

Optional:

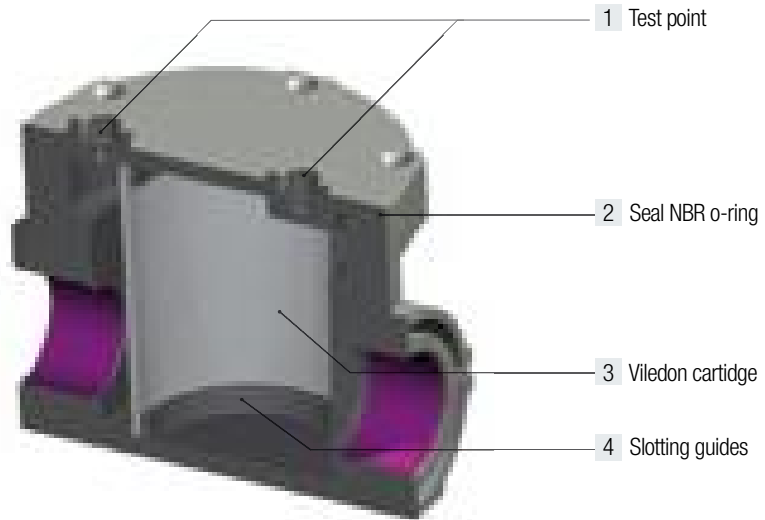
- Test point – NPT ¼”

- Screw – NPT ¼”

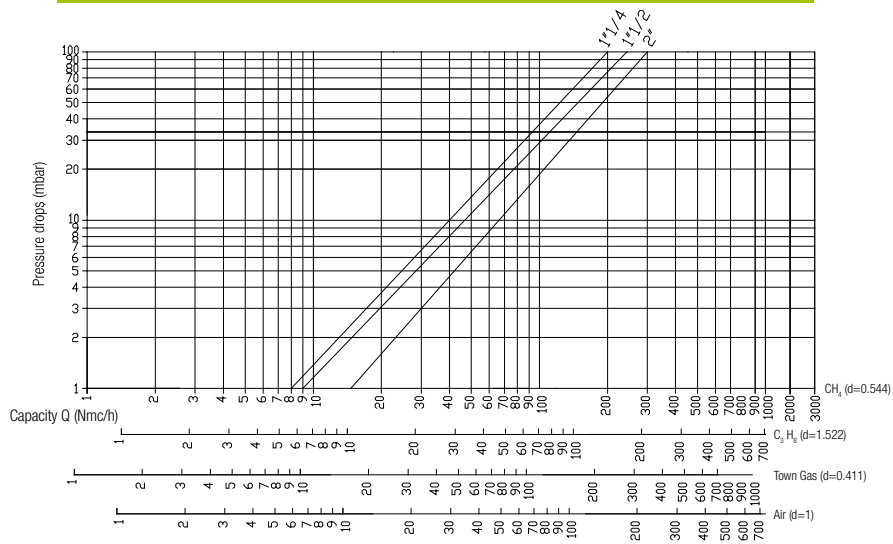
- Peters plug

- Manometer

- DP clogging indicator



FLOW CHART



DIMENSIONS (mm) and WEIGHT (kgs)				
Dimension	A	B	C	Weight
1 ¼"	164	131.7	152.5	1,63
1 ½"	164	131.7	152.5	1,55
2"	164	131.7	152.5	1,45

