



Series 4430

Zetco AGA Approved
2-Piece Stainless Steel
Ball Valve F&F Lockable
NPT Threads

FEATURES

MANUFACTURED IN CHINA

STAINLESS STEEL 316

AUSTRALIAN GAS ASSOCIATION APPROVAL #8265

FULL BORE

ANSI B1.20.1 NPT THREADS

BLOW-OUT PROOF STEM

INVESTMENT CASTING

PTFE SEALS

MUST BE OPERATED IN FULLY OPEN OR CLOSED POSITION

ALL VALVES PRESSURE TESTED DURING PRODUCTION

SIZE RANGE: 6MM TO 100MM

PRESSURE AND TEMPERATURE RATINGS

TEMPERATURE RANGE: -20°C TO 60°C

MAXIMUM OPERATING PRESSURE AT NOMINAL TEMPERATURES: 4000 kPa

FOR RATINGS AT SPECIFIC TEMPERATURES REFER TO GRAPH OVERLEAF



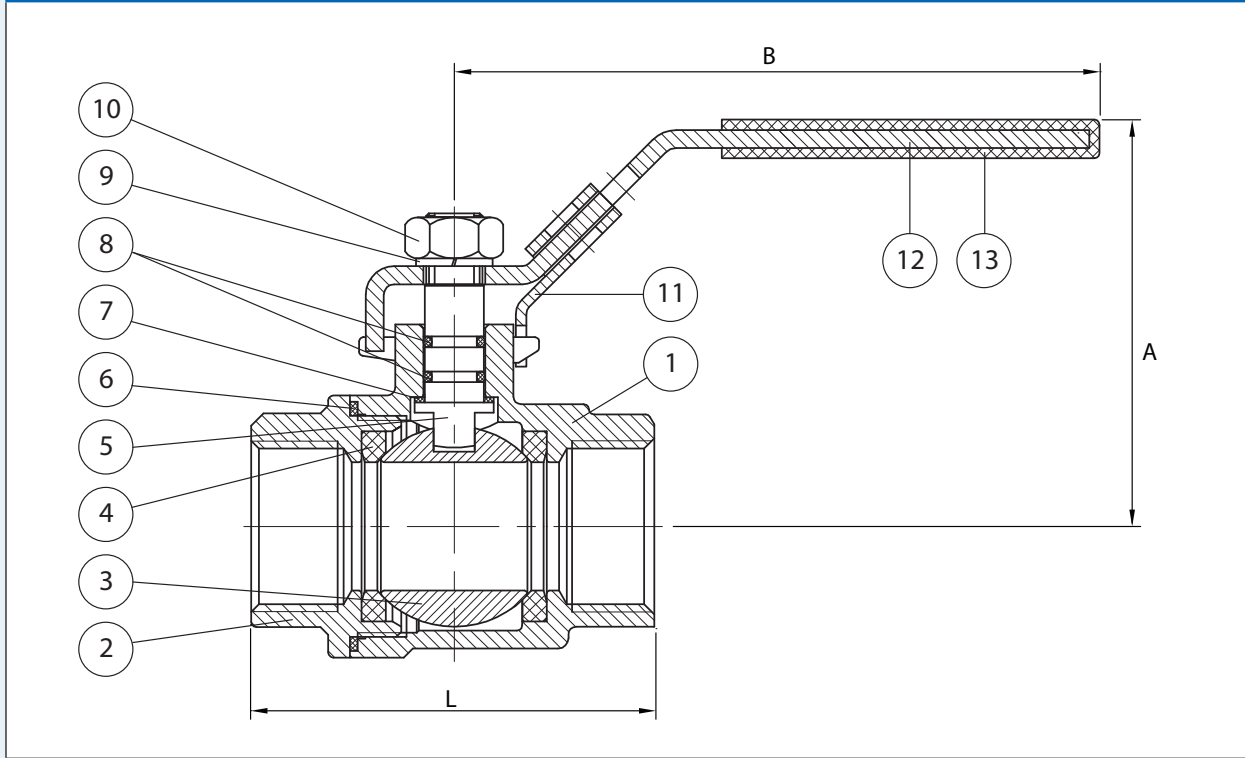
AGA 8265 G
AS 4617

Series 4430

Zetco AGA Approved 2-Piece Stainless Steel Ball Valve F&F Lockable NPT Threads



DIMENSIONAL AND COMPONENT DIAGRAM



MATERIALS

POS.	PART NAME	MATERIALS
1	BODY	STAINLESS STEEL 316
2	END ADAPTOR	STAINLESS STEEL 316
3	BALL	STAINLESS STEEL 316
4	SEAT	PTFE
5	STEM	STAINLESS STEEL 316
6	GASKET	PTFE
7	THRUST WASHER	PTFE
8	O-RING	VITON®
9	SPRING WASHER	STAINLESS STEEL 304
10	STEM NUT	STAINLESS STEEL 304
11	LOCKING DEVICE	STAINLESS STEEL 304
12	HANDLE	STAINLESS STEEL 304
13	HANDLE SLEEVE	VINYL

DIMENSIONS - mm

Prod. Code	Size	A	B	L	Kv	Wgt kg
4430006	6	56	102	52	5.1	0.240
4430010	10	56	102	52	6.0	0.220
4430015	15	65	123	58	8.6	0.280
4430020	20	68	123	67	21.4	0.460
4430025	25	79	153	81	30.0	0.645
4430032	32	84	153	94	39.4	1.11
4430040	40	94	183	104	68.6	1.41
4430050	50	100	183	126	94.3	2.58
4430065	65	135	246	158	266	5.46
4430080	80	145	246	186	308	8.27
4430100	100	168	350	260	703	16.17

PRESSURE/TEMPERATURE DIAGRAM

