



## Series 4410

Zetco AGA Approved  
2-Piece Stainless Steel  
Ball Valve F&F Lockable

### FEATURES

MANUFACTURED IN CHINA

STAINLESS STEEL 316

AUSTRALIAN GAS ASSOCIATION APPROVAL #8265

FULL BORE

BLOW-OUT PROOF STEM

INVESTMENT CASTING

PTFE SEALS

MUST BE OPERATED IN FULLY OPEN OR CLOSED POSITION

ALL VALVES PRESSURE TESTED DURING PRODUCTION

SIZE RANGE: 6MM TO 100MM

### PRESSURE AND TEMPERATURE RATINGS

TEMPERATURE RANGE: -20°C TO 60°C

MAXIMUM OPERATING PRESSURE AT NOMINAL TEMPERATURES: 4000 kPa

FOR RATINGS AT SPECIFIC TEMPERATURES REFER TO GRAPH OVERLEAF



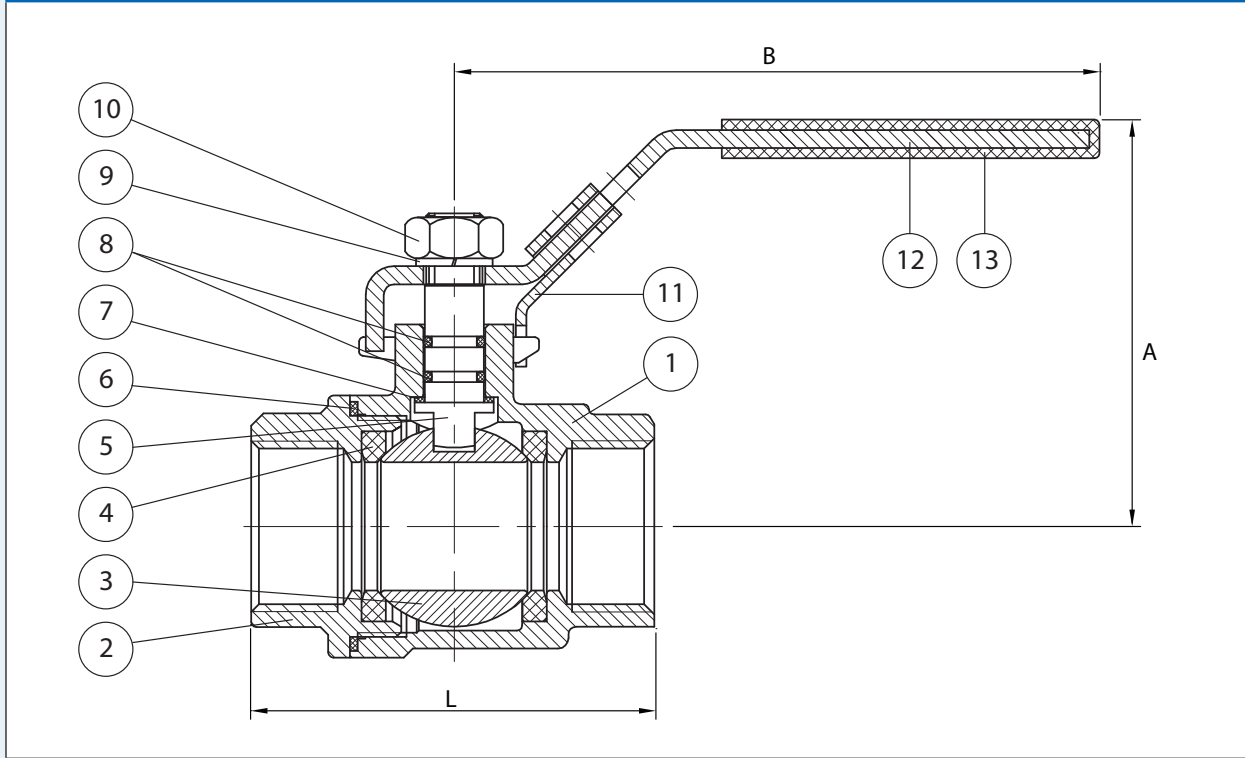
AGA 8265 G  
AS 4617

# Series 4410

Zetco AGA Approved 2-Piece  
Stainless Steel Ball Valve F&F Lockable



## DIMENSIONAL AND COMPONENT DIAGRAM



### MATERIALS

POS.	PART NAME	MATERIALS
1	BODY	STAINLESS STEEL 316
2	END ADAPTOR	STAINLESS STEEL 316
3	BALL	STAINLESS STEEL 316
4	SEAT	PTFE
5	STEM	STAINLESS STEEL 316
6	GASKET	PTFE
7	THRUST WASHER	PTFE
8	O-RING	VITON®
9	SPRING WASHER	STAINLESS STEEL 304
10	STEM NUT	STAINLESS STEEL 304
11	LOCKING DEVICE	STAINLESS STEEL 304
12	HANDLE	STAINLESS STEEL 304
13	HANDLE SLEEVE	VINYL

### DIMENSIONS - mm

Prod. Code	Size	A	B	L	Kv	Wgt kg
4410006	6	56	102	52	5.1	0.240
4410010	10	56	102	52	6.0	0.220
4410015	15	65	123	58	8.6	0.280
4410020	20	68	123	67	21.4	0.460
4410025	25	79	153	81	30.0	0.645
4410032	32	84	153	94	39.4	1.11
4410040	40	94	183	104	68.6	1.41
4410050	50	100	183	126	94.3	2.58
4410065	65	135	246	158	266	5.46
4410080	80	145	246	186	308	8.27
4410100	100	168	350	260	703	16.17

### PRESSURE/TEMPERATURE DIAGRAM

