

MAXON OVENPAK[®] LE

Low emissions, high performance gas burners

Honeywell



Technical Catalog

TABLE OF CONTENTS

Features & Benefits	1
Product description	1
Typical applications	2
Typical emissions	2
Intelligent Model Numbers	3
Specifications of OVENPAK® LE burners	4
OVENPAK® LE 5 burner	4
OVENPAK® LE 10 burner	4
OVENPAK® LE 13 burner	5
OVENPAK® LE 15 burner	5
OVENPAK® LE 30 burner	6
OVENPAK® LE 35 burner	6
OVENPAK® LE 40 burner	6
OVENPAK® LE 45 burner	7
OVENPAK® LE 70 burner	7
OVENPAK® LE EB40, EB65 & EB100 burners	8
Materials of construction	9
Selection criteria	10
OVENPAK® LE burner versions	10
Application details	10
Dimensions & weights	17
OVENPAK® LE packaged burner sizes 5 through 25	13
OVENPAK® LE packaged burner sizes 30 through 45	14
OVENPAK® LE packaged burner size 70	15
OVENPAK® LE burner size EB40	16
OVENPAK® LE burner size EB65	17
OVENPAK® LE burner size EB100	18
Accessory dimensions	19
Installation and operating instructions	24
Application requirements	25
Installation instructions	25
Filter assembly	26
Burner mounting	28
Start-up instructions	29
Maintenance & inspection instructions	29

FEATURES & BENEFITS

- Burns any clean fuel gas
- Operates on low gas supply pressures
- Provides clean combustion with low NOx and CO levels
- Compact burner design provides quick and easy installation
- Balanced pressure design for easy commissioning and adjustment
- Visible ignition action speeds commissioning and maintenance
- High turndown for exceptional process control

PRODUCT DESCRIPTION

OVENPAK® LE burners are nozzle-mixing gas burners for many industrial, direct-fired applications where clean combustion and high turndown are required. The burners are simple and versatile for use on a variety of heating applications.

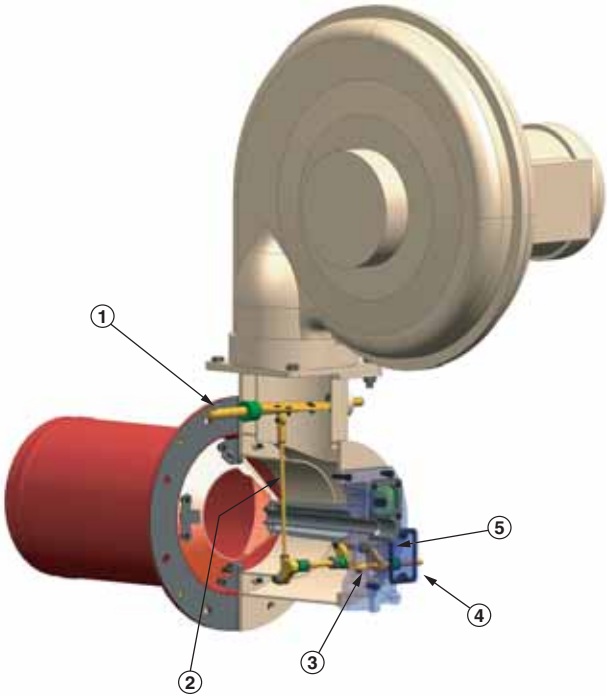
The gas flows through the nozzle, then along the inside of the burner cone where combustion air is rapidly mixed with the fuel. This produces a very wide turndown range and a highly stable flame under a variety of operating conditions.

Fuel and air pressures for the burner are balanced (always equal). This unique design provides simple operation and adjustment throughout the operational range of the burner. The balanced pressure feature also makes the OVENPAK® LE Burner resistant to firing chamber pressure fluctuations.

The OVENPAK® LE burner is available in several versions. Packaged burners contain integral combustion air blower with non-sparking paddle wheel-type impeller and linked air and fuel control valves to maintain the gas-air ratio over the full operating range. EB versions include an internal air control valve designed to be connected to an external fuel control valve. The EB version may also be ordered with no control valves.

The OVENPAK® LE burner includes a pilot, spark ignitor, stainless steel discharge sleeve, mixing cone, and provision for a flame sensor.

- 1) Air control valve
- 2) High precision connecting linkage
- 3) Fuel control valve
- 4) Access cover to tuning screw
- 5) Tuning screw



TYPICAL APPLICATIONS

OVENPAK® LE burner applications may include:

- air heating in ovens and dryers
- paint finishing lines
- paper machines
- textile machines
- food baking ovens
- coffee roasters
- grain dryers
- other air heaters

TYPICAL EMISSIONS

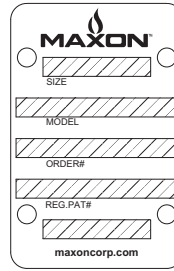
MAXON OVENPAK® LE Burners produce low levels of NO_x and CO over a wide range of operation without sacrificing turndown or operational flexibility. Burner emissions can be controlled by adjusting the regulator at high fire position, and by adjusting the ratio tuning screw at lower firing position.

The OVENPAK® LE utilizes advanced mix combustion to effectively suppress the formation of prompt NO_x. CO emissions are held at low levels through effective ratio control with minimal excess air.

Exact emissions performance may vary in your application. Contact MAXON for information on installation-specific estimates and guaranteed values. No guarantee of emissions is intended or implied without specific, written guarantee from MAXON.

INTELLIGENT MODEL NUMBERS

A coded model number is provided on the nameplate of all MAXON OVENPAK® LE Burners to provide a simple method to identify the configuration of the product. This model number ensures accuracy in identifying your product, ordering replacement parts or communicating capabilities.



OVENPAK® LE model number														
Series	Model	Size	Pilot	Flame Detection	Fuel	Mixing Cone	Discharge Sleeve	Oven Wall Gasket	Blower Voltage (or Control Valves)	CB&L	Position Switch	Filter/Silencer (Pkgd. only)	Companion Flange (EB100 only)	
S	OPL	1	S	U	N	S	S	N	1	A	A	N	Y	

SERIES

S if special - blank if not

MODEL

OPL - Model ID

SIZE

- 1 - OPL 13
- 2 - OPL 15
- 3 - OPL 25
- 4 - OPL 30
- 5 - OPL 35
- 6 - OPL 40
- 7 - OPL 45
- 8 - OPL 5
- 9 - OPL 10
- 10 - OPL 70
- A - EB40
- B - EB65
- C - EB100

PILOT

- D - Direct spark
- S - Standard pilot

FLAME DETECTION

- R - Flame rod
- U - Provision for UV scanner

FUEL

- N - Natural gas
- P - Propane

MIXING CONE

S - Standard

DISCHARGE SLEEVE

- C - Short sleeve 310SS
- H - High temperature sleeve 330SS
- R - Refractory lined sleeve 310SS
- S - Standard sleeve 310SS

OVEN WALL GASKET

- N - No
- Y - Yes

BLOWER VOLTAGE - packaged units only

- 1 - 230/460/3/60 Right motor position std.
- 2 - 575/3/60 Right motor position std.
- 3 - 115/1/60 Right motor position std.
- 4 - 230/460/3/60 Left motor position
- 5 - 575/3/60 Left motor position
- 6 - 115/1/60 Left motor position

CONTROL VALVES - EB only

- E - External control valves
- I - Internal control valves (no internal linkage)

B&L

- A - No CB&L
- B - SMARTLINK CV
- C - SMARTLINK MRV
- D - Honeywell Mod CB&L only
- E - CB&L w/Honeywell Mod Motor
- F - CB&L w/Honeywell WP Mod Motor
- H - Honeywell R7999 ControlLinks
- I - SMARTLINK DS DC CV

CB&L - EB40, EB65 & EB100 only:

- A - No CB&L
- B - SMARTLINK MRV
- D - Honeywell R7999 ControlLinks

POSITION SWITCH

- A - No position switch
- B - Omron low position switch
- C - Omron hi/lo position switch
- D - T'mechanique low position switch
- E - T'mechanique WP hi/lo pos switch

FILTER/SILENCER - packaged burners only

- N - No filter or silencer
- S - Filter/silencer assembly (silencer assembly only for OPL 70)
- F - Filter assembly (for OPL 70 only)

COMPANION FLANGE - EB100 only

- N - No flange needed
- Y - Yes flange needed

SPECIFICATIONS OF OVENPAK® LE BURNERS

OVENPAK® LE 5 burner

Typical burner data		
Fuel: natural gas at 15°C with 10.9 kWh/Nm ³ - sg = 0.6 [1]		
Combustion air: 15°C - 21% O ₂ - 50% rel. humidity - sg = 1.0 [1]		
Stated pressures are indicative. Actual pressures are a function of air humidity, altitude, type of fuel, and gas quality.		
Maximum capacity [2]	kW	146
Minimum capacity [3]		6
Maximum turndown		22:1
High fire gas pressure differential [4]	mbar	6.2
Combustion air pressure differential		6.2
Fan motorpower	hp	0.25
Pilot capacity [5]	kW	4
Approximate inlet gas pressure required	mbar	8.7

OVENPAK® LE 10 burner

Typical burner data		
Fuel: natural gas at 15°C with 10.9 kWh/Nm ³ - sg = 0.6 [1]		
Combustion air: 15°C - 21% O ₂ - 50% rel. humidity - sg = 1.0 [1]		
Stated pressures are indicative. Actual pressures are a function of air humidity, altitude, type of fuel, and gas quality.		
Maximum capacity [2]	kW	293
Minimum capacity [3]		9
Maximum turndown		33:1
High fire gas pressure differential [4]	mbar	20.2
Combustion air pressure differential		20.2
Fan motorpower	hp	1
Pilot capacity [5]	kW	6
Approximate inlet gas pressure required	mbar	26.2

[1] sg (specific gravity) = relative density to air (density air = 1.293 kg/Nm³)

[2] Capacity displayed assumes blower operation on 60Hz electrical supply. Gross output will be reduced by 17% if operated on 50Hz. Fuel and air pressures should be reduced by 30% while motorpower will reduce 40% with 50Hz operation.

[3] Minimum capacity may be affected by fuel and application parameters.

[4] Gas pressure displayed for natural gas or propane. Propane pressures shown require use of optional propane nozzle.

[5] Pilot gas pressure at adjustable gas orifice should be 10-20 mbar.

OVENPAK® LE 13 burner

Typical burner data		
Fuel: natural gas at 15°C with 10.9 kWh/Nm ³ - sg = 0.6 [1]		
Combustion air: 15°C - 21% O ₂ - 50% rel. humidity - sg = 1.0 [1]		
Stated pressures are indicative. Actual pressures are a function of air humidity, altitude, type of fuel, and gas quality.		
Maximum capacity [2]	kW	400
Minimum capacity [3]		8
Maximum turndown		50:1
High fire gas pressure differential [4]	mbar	15
Combustion air pressure differential		15
Fan motorpower	hp	0.5
Pilot capacity [5]	kW	8
Approximate inlet gas pressure required	mbar	18.9

OVENPAK® LE 15 burner

Typical burner data		
Fuel: natural gas at 15°C with 10.9 kWh/Nm ³ - sg = 0.6 [1]		
Combustion air: 15°C - 21% O ₂ - 50% rel. humidity - sg = 1.0 [1]		
Stated pressures are indicative. Actual pressures are a function of air humidity, altitude, type of fuel, and gas quality.		
Maximum capacity [2]	kW	470
Minimum capacity [3]		9.4
Maximum turndown		50:1
High fire gas pressure differential [4]	mbar	21.2
Combustion air pressure differential		21.2
Fan motorpower	hp	1.5
Pilot capacity [5]	kW	8
Approximate inlet gas pressure required	mbar	26.4

OVENPAK® LE 25 burner

Typical burner data		
Fuel: natural gas at 15°C with 10.9 kWh/Nm ³ - sg = 0.6 [1]		
Combustion air: 15°C - 21% O ₂ - 50% rel. humidity - sg = 1.0 [1]		
Stated pressures are indicative. Actual pressures are a function of air humidity, altitude, type of fuel, and gas quality.		
Maximum capacity [2]	kW	730
Minimum capacity [3]		14.6
Maximum turndown		50:1
High fire gas pressure differential [4]	mbar	20.8
Combustion air pressure differential		20.8
Fan motorpower	hp	2
Pilot capacity [5]	kW	15
Approximate inlet gas pressure required	mbar	34.9

[1] sg (specific gravity) = relative density to air (density air = 1.293 kg/Nm³)

[2] Capacity displayed assumes blower operation on 60Hz electrical supply. Gross output will be reduced by 17% if operated on 50Hz. Fuel and air pressures should be reduced by 30% while motorpower will reduce 40% with 50Hz operation.

[3] Minimum capacity may be affected by fuel and application parameters.

[4] Gas pressure displayed for natural gas or propane. Propane pressures shown require use of optional propane nozzle.

[5] Pilot gas pressure at adjustable gas orifice should be 10-20 mbar.

OVENPAK® LE 30 burner

Typical burner data		
Fuel: natural gas at 15°C with 10.9 kWh/Nm ³ - sg = 0.6 [1]		
Combustion air: 15°C - 21% O ₂ - 50% rel. humidity - sg = 1.0 [1]		
Stated pressures are indicative. Actual pressures are a function of air humidity, altitude, type of fuel, and gas quality.		
Maximum capacity [2]	kW	925
Minimum capacity [3]		18.5
Maximum turndown		50:1
High fire gas pressure differential [4]	mbar	22
Combustion air pressure differential		22
Fan motorpower	hp	3
Pilot capacity [5]	kW	18
Approximate inlet gas pressure required	mbar	25.9

OVENPAK® LE 35 burner

Typical burner data		
Fuel: natural gas at 15°C with 10.9 kWh/Nm ³ - sg = 0.6 [1]		
Combustion air: 15°C - 21% O ₂ - 50% rel. humidity - sg = 1.0 [1]		
Stated pressures are indicative. Actual pressures are a function of air humidity, altitude, type of fuel, and gas quality.		
Maximum capacity [2]	kW	1025
Minimum capacity [3]		20.5
Maximum turndown		50:1
High fire gas pressure differential [4]	mbar	26.1
Combustion air pressure differential		26.1
Fan motorpower	hp	3
Pilot capacity [5]	kW	20
Approximate inlet gas pressure required	mbar	32.4

OVENPAK® LE 40 burner

Typical burner data		
Fuel: natural gas at 15°C with 10.9 kWh/Nm ³ - sg = 0.6 [1]		
Combustion air: 15°C - 21% O ₂ - 50% rel. humidity - sg = 1.0 [1]		
Stated pressures are indicative. Actual pressures are a function of air humidity, altitude, type of fuel, and gas quality.		
Maximum capacity [2]	kW	1170
Minimum capacity [3]		23.4
Maximum turndown		50:1
High fire gas pressure differential [4]	mbar	17.4
Combustion air pressure differential		17.4
Fan motorpower	hp	3
Pilot capacity [5]	kW	23
Approximate inlet gas pressure required	mbar	24.9

[1] sg (specific gravity) = relative density to air (density air = 1.293 kg/Nm³)

[2] Capacity displayed assumes blower operation on 60Hz electrical supply. Gross output will be reduced by 17% if operated on 50Hz. Fuel and air pressures should be reduced by 30% while motorpower will reduce 40% with 50Hz operation.

[3] Minimum capacity may be affected by fuel and application parameters.

[4] Gas pressure displayed for natural gas or propane. Propane pressures shown require use of optional propane nozzle.

[5] Pilot gas pressure at adjustable gas orifice should be 10-20 mbar.

OVENPAK® LE 45 burner

Typical burner data		
Fuel: natural gas at 15°C with 10.9 kWh/Nm ³ - sg = 0.6 [1]		
Combustion air: 15°C - 21% O ₂ - 50% rel. humidity - sg = 1.0 [1]		
Stated pressures are indicative. Actual pressures are a function of air humidity, altitude, type of fuel, and gas quality.		
Maximum capacity [2]	kW	1315
Minimum capacity [3]		26.4
Maximum turndown		50:1
High fire gas pressure differential [4]	mbar	23
Combustion air pressure differential		23
Fan motorpower	hp	5
Pilot capacity [5]	kW	26
Approximate inlet gas pressure required	mbar	37.4

OVENPAK® LE 70 burner

Typical burner data		
Fuel: natural gas at 15°C with 10.9 kWh/Nm ³ - sg = 0.6 [1]		
Combustion air: 15°C - 21% O ₂ - 50% rel. humidity - sg = 1.0 [1]		
Stated pressures are indicative. Actual pressures are a function of air humidity, altitude, type of fuel, and gas quality.		
Maximum capacity [2]	kW	2050
Minimum capacity [3]		58
Maximum turndown		35:1
High fire gas pressure differential [4]	mbar	30
Combustion air pressure differential		30
Fan motorpower	hp	7.5
Pilot capacity [5]	kW	26
Approximate inlet gas pressure required	mbar	32.4

[1] sg (specific gravity) = relative density to air (density air = 1.293 kg/Nm³)

[2] Capacity displayed assumes blower operation on 60Hz electrical supply. Gross output will be reduced by 17% if operated on 50Hz. Fuel and air pressures should be reduced by 30% while motorpower will reduce 40% with 50Hz operation.

[3] Minimum capacity may be affected by fuel and application parameters.

[4] Gas pressure displayed for natural gas or propane. Propane pressures shown require use of optional propane nozzle.

[5] Pilot gas pressure at adjustable gas orifice should be 10-20 mbar.

OVENPAK® LE EB40, EB65 & EB100 burners

Typical burner data				
Fuel: natural gas at 15°C with 10.9 kWh/Nm ³ - sg = 0.6 [1]				
Combustion air: 15°C - 21% O ₂ - 50% rel. humidity - sg = 1.0 [1]				
Stated pressures are indicative. Actual pressures are a function of air humidity, altitude, type of fuel, and gas quality.				
		EB40	EB65	EB100
Chamber pressure	mbar	-1.0	-1.0	-1.0
Maximum capacity	kW	1170	1900	2928
Minimum capacity [2]		12	12	117
Maximum turndown		100:1	100:1	25:1
High fire gas pressure differential [3]	mbar	56	48	52
Combustion air pressure differential [6]		56	48	52
Combustion air volume [4]	m ³ /h	1610	2620	3890
Pilot capacity [5]	kW	19	19	26
Inlet air pressure differential [7]	mbar	67	52	62.3
Approximate inlet gas pressure required [8]	mbar	94.7	67.3	62.5

[1] sg (specific gravity) = relative density to air (density air = 1.293 kg/Nm³)

[2] Minimum capacity may be affected by fuel and application parameters.

[3] Gas pressure displayed for natural gas or propane. Propane pressures shown require use of optional propane nozzle.

[4] Combustion air defined as standard temperature and pressure.

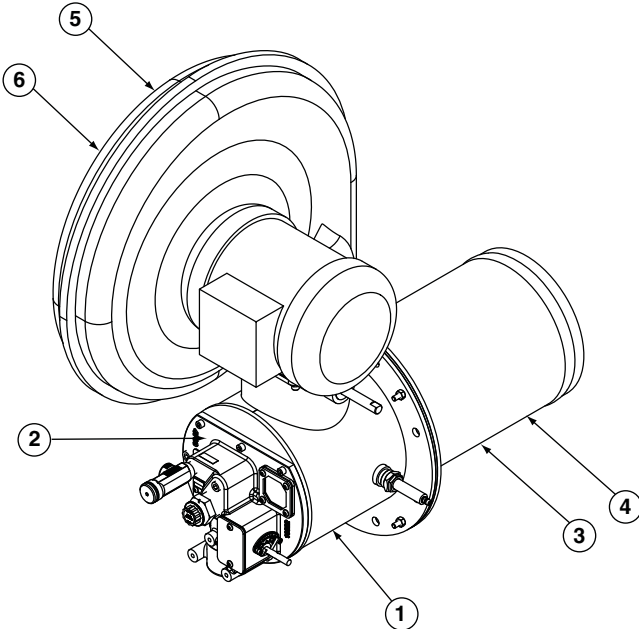
[5] Pilot gas pressure at adjustable gas orifice should be 10-20 mbar.

[6] Combustion air differential pressure to be measured between burner test connection and combustion chamber

[7] Inlet combustion air differential pressure to be measured between burner inlet and combustion chamber

[8] For EB versions, valid only for the case where the burner has internal controls

MATERIALS OF CONSTRUCTION



Item number	Burner part	Material
1	Housing	1010 steel (1.1121)
2	Back plate	Cast iron
3	Mixing cone (inside discharge sleeve)	310 Stainless steel (1.4841)
4	Nozzle (inside discharge sleeve)	Cast iron
5	Impeller (inside fan case)	Aluminum
6	Fan case	Aluminum / steel

SELECTION CRITERIA

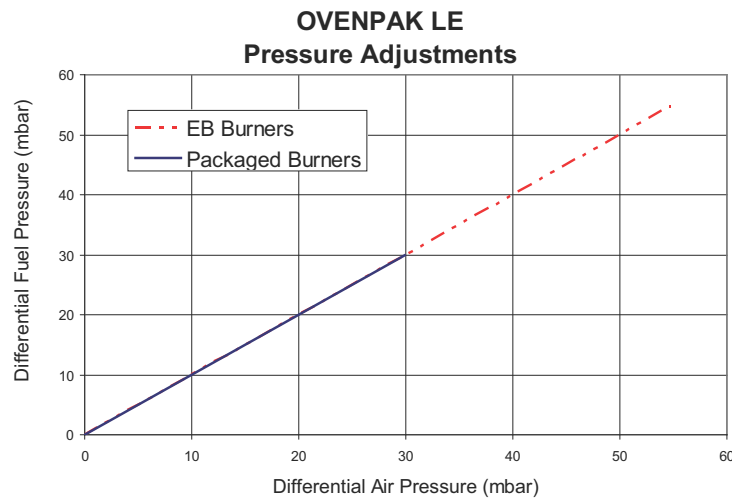
OVENPAK® LE burner versions

The OVENPAK® LE burner is a nozzle mixing burner for use on a wide variety of industrial applications. The burner utilizes advanced, rapid mixing to produce low levels of NOx and CO while maintaining high turndown and operational flexibility.

The OVENPAK® LE burner is available in several versions. Packaged burners contain an integral combustion air blower and internally linked control valves to maintain the gas-air ratio over the full operating range. EB (external blower) burners are equipped with an air inlet adapter and are designed for remote blower applications. EB versions include independent internal fuel and air valves designed to be connected externally to a parallel positioning fuel-air ratio control system. The EB version may also be ordered with no internal fuel and air valves.

The OVENPAK® LE burner includes a combustion air blower with non-sparking paddle wheel-type impeller, pilot, spark ignitor, stainless steel discharge sleeve, mixing cone and provision for a flame safeguard sensor.

OVENPAK® LE burners feature a unique balanced pressure design with equal fuel pressures and air pressures. This feature provides easy set-up and verification. In addition, balanced supply pressures provide resistance to fluctuations or upsets in the firing chamber pressure. During upsets, the burner's ratio will be maintained for stability and emissions control.



Application details

MAXON OVENPAK® LE burner can be used in all direct fired air heating applications. It combines flexibility and stability with high turndown and low NOx/CO emissions. It can be used in all air heating applications that require low NOx firing and allow excess combustion air. Consult installation instructions under "Burner mounting" for mounting and insulating requirements.

OVENPAK® LE burners can be fired into tubes up to 3860 kW/m² of tube cross sectional area. The OVENPAK® LE may also be used for indirect applications up to 815° C.

MAXIMUM CAPACITIES

All OVENPAK® LE burners can be fired at higher than maximum capacities if sufficient combustion air and fuel gas is provided to the burner. EB burners may be overfired up to 15% over cataloged capacities with an adequate combustion air blower. Burner emissions will be affected by overfiring. Fuel pressure will increase in kind to maintain balance pressure design on EB burners.

PROCESS BACK PRESSURE

Standard packaged OVENPAK® LE burners with integrated fan can accept static chamber pressures between -12.5 mbar and +12.5 mbar. The unique balanced pressure design provides resistance to unstable application pressures. During system upsets, the burner's output capacity will be impacted but the air-fuel ratio and stability will be maintained. The capacity of packaged burners will be affected by chamber pressure.

EB burners with external valves retain the balanced pressure design at the burner nozzles. Process pressures for EB burners should be limited to +350 mbar to -350 mbar. Care should be taken when selecting external air and fuel valves to closely match the pressure drops at full flow.

BLOWER ORIENTATION

Blower should be positioned only with the motor parallel to the burner-oven flange. Altering blower position is not recommended as turndown and emissions will be affected. See illustrations under heading "Dimensions and weights" for proper orientation.

PIPE TRAIN

For proper air-to-fuel ratio, do not exceed 10 mbar pressure drop between the burner inlet and the regulator. Higher pressure drops will impact turndown and emissions.

PROCESS TEMPERATURE

The construction of the burner allows operation in all applications with process temperatures from ambient up to 525° C.

PILOTING & IGNITION

All OVENPAK® LE burners are equipped with a self-piloted design. Pilots shall be used only for ignition of the main flame (interrupted). Use of a standing (continuous) pilot will reduce burner turndown and negatively impact emissions. Use minimally 5000 V/200 VA ignition transformers for sparking of the spark ignitor. Optional ignition equipment for hazardous locations is available as well as high energy ignitors for direct ignition.

Start the burner at low fire settings only. Direct spark ignition of standard OVENPAK® LE burners is possible. Ignitor should spark to the cone only. Arc should be easily visible through the observation window for verification of ignition and maintenance.

Locate one pilot gas valve as close as possible to the pilot burner gas inlet to have fast ignition of the pilot burner.

RATIO CONTROL

Burner should be modulated between low and high fire position settings only. Overtraveling can damage internal linkage. Low and high fire stops are intended as visual indicators only. They should not be used as the low or as the high fire hard stops.

Packaged burners with internal linkage should have no more than 10 mbar pressure drop in the fuel train from the regulator to burner inlet.

OVENPAK® LE burners may operate with excess air levels of 5-40%. Best NOx emissions will be produced with 35-40% excess air. CO emissions will be influenced by ratio and a variety of other factors. See "Expected emissions" for more information.

TYPICAL IGNITION SEQUENCE

- Pre-purge of burner and installation, according to the applicable codes and the installation's requirements.
- Combustion air control valve shall be in the minimum position to allow minimum combustion air flow to the burner.
- Pre-ignition (typically 2 seconds sparking in air).
- Open pilot gas and continue to spark the ignitor (typically 5 seconds).
- Stop sparking, continue to power the pilot gas valves and start flame check. Trip burner if no flame from here on.
- Check pilot flame stability (typical 5 seconds to prove stable pilot).
- Open main gas valves and allow enough time to have main gas in the burner (typical 5 seconds + time required to have main gas in the burner).
- Close the pilot gas valves.
- Release to modulation (allow modulation of the burner).

Above sequence shall be completed to include all required safety checks during the start-up of the burner (process & burner safeties).

FLAME SUPERVISION

OVENPAK® LE flames shall be supervised by flame scanners or flame rods allowing verification of both pilot flame and main flame. (It is not possible to distinguish main and pilot flame.)

Scanners are mounted on the burner back plate and look through the fuel nozzle.

Pay attention to possible pick-up of strange flames (if any in the furnace).

FLAME DEVELOPMENT

The OVENPAK® LE creates stout, thoroughly mixed flames with short lengths. Burner flames remain consistent across most burner sizes.

Dimensions in mm unless stated otherwise		
Burner size	Flame diameter	Flame length [1]
5	127	178
10	127	190
13	230	500
15		
25		
30	280	600
35		
40		
45		
70	280	458
EB40	230	500
EB65	280	600
EB100	280	600

[1] Flame length indicated is measured from the end of the discharge sleeve.

CROSS VELOCITIES

Cross velocities up to 15 m/s can be allowed over the OVENPAK® LE flame. Contact MAXON for assistance for cross velocity over the flame in excess of 15 m/s, or for processes with high moisture content.

COMBUSTION AIR CONTROL & PIPING

OVENPAK® LE EB burners require combustion air control valves with high turndown (to guarantee correct air flow at minimum capacity). Air control valves shall be properly sized. Typically, the air control valve diameter shall be smaller than the burner air inlet. Combustion air piping to the burner shall be done in such a way that the air flow to the burner will not disturb the flame. One diameter straight pipe length is recommended at the blower air inlet. Location of air control valves directly on the burner inlet is not possible.

Packaged burners and fans will be shipped disassembled. Blower orientation other than depicted under “Dimensions and weights” is not recommended.

FUELS

Standard OVENPAK® LE burners are designed for low NOx firing of natural gas only. Optional versions are available to fire propane/LPG. When firing propane, butane or other alternate fuels, higher NOx will be produced. Contact MAXON for expected influence on emissions.

EXPECTED EMISSIONS

Packaged burner emissions can be controlled by adjusting the regulator at high fire position, and by adjusting the tuning screw at lower firing position. The fine tuning screw is located below the metal access plate under the viewport at the backplate of each burner. This screw is only intended to allow fine tuning of the NOx and CO production at midfire. No more than 2 turns of the screw should be utilized in either direction. EB burners do not include an internal air and gas linkage or a tuning screw.

Typical NOx for OVENPAK® LE burners firing natural gas with 40% excess air is approximately 1/2 to 1/3 the NOx of conventional burners.

CO highly depends on the installation’s lay-out and can be reduced if sufficient dwell time after the flame is allowed. CO can generally be controlled below most known standards and regulatory requirements. Consult MAXON for correct application information.

Exact emissions performance may vary in your application. Contact MAXON for information on installation-specific estimates and guaranteed values. No guarantee of emissions is intended or implied without specific, written guarantee from MAXON.

DISCHARGE SLEEVES

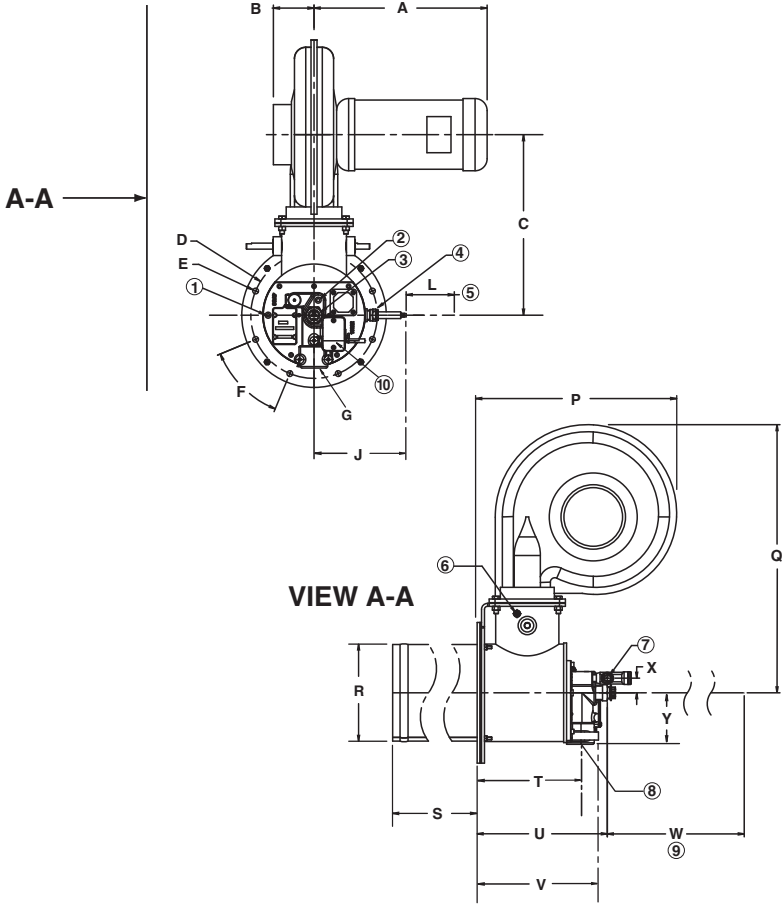
Discharge sleeve should be selected based on the process conditions. Several materials and length configurations are available.

Discharge sleeves	Discharge sleeve material	Application conditions
Standard	309 / 310 SS (1.4828 / 1.4841)	<400° C direct fired
High temperature sleeve (optional)	330 SS (1.4333)	400° C-550° C direct fired
Short sleeve (optional)	310 SS (1.4841)	<550° C indirect fired
Refractory lined sleeve (optional)	310 SS (1.4841) & castable refractory	up to 815°C indirect fired

DIMENSIONS AND WEIGHTS

OVENPAK® LE packaged burner sizes 5 through 25

- 1) Air test port 1/4" NPT
- 2) Gas test port 1/4" NPT
- 3) Flame rod or flame scanner (optional)
- 4) Spark ignitor
- 5) Spark ignitor removal
- 6) Air pressure switch test port 1/8" NPT
- 7) Pilot gas inlet 3/8" NPT
- 8) Gas inlet
- 9) Removal of optional flame rod
- 10) Tuning screw



Dimensions in mm unless stated otherwise

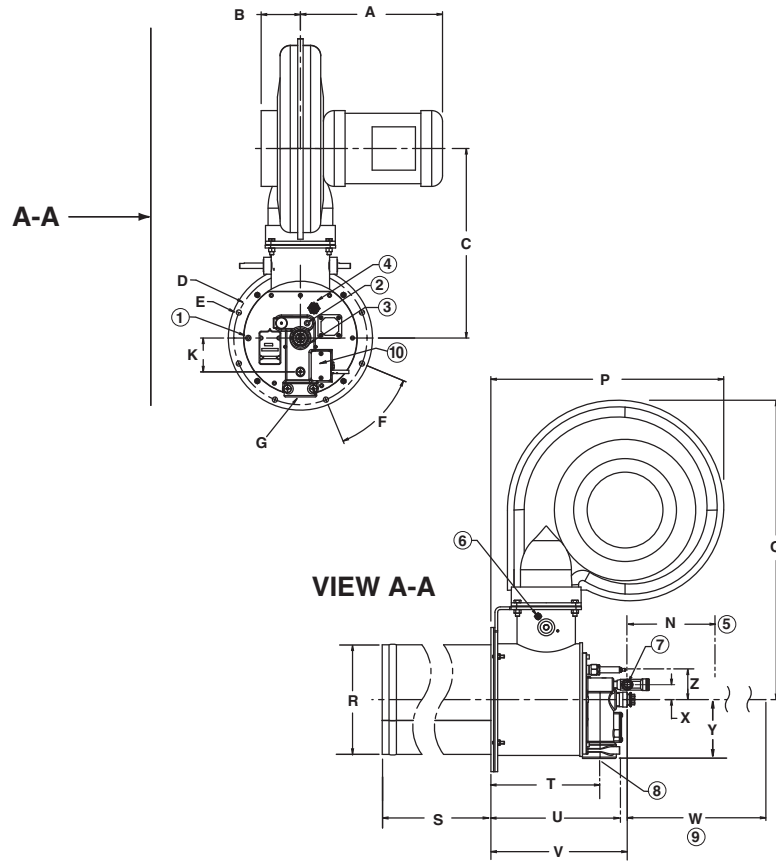
Model	A	B	C	D	E	F	G	J	L	P
5	318	92	421	267	12	45°	1-1/4" NPT	194	102	525
10	318	92	421	267	12	45°	1-1/4" NPT	194	102	525
13	365	86	381	267	12	45°	1-1/4" NPT	194	102	432
15	358	86	421	267	12	45°	1-1/4" NPT	194	102	525
25	318	92	421	267	12	45°	1-1/4" NPT	194	102	525

Dimensions in mm unless stated otherwise

Model	Q	R	S Std.	S Short	S Ref. lined	T	U	V	W	X	Y	Weight kg
5	678	160	305	118	200	227	282	263	470	32	112	45.8
10	678	160				227	282	263	470	32	112	
13	581	211				227	282	263	470	32	112	
15	678	211				227	282	263	470	32	112	
25	678	211				227	282	263	470	32	112	

OVENPAK® LE packaged burner sizes 30 through 45

- 1) Air test port 1/4" NPT
- 2) Gas test port 1/4" NPT
- 3) Flame rod or flame scanner (optional)
- 4) Spark ignitor
- 5) Spark ignitor removal
- 6) Air pressure switch test port 1/8" NPT
- 7) Pilot gas inlet 3/8" NPT
- 8) Gas inlet
- 9) Removal of optional flame rod
- 10) Tuning screw

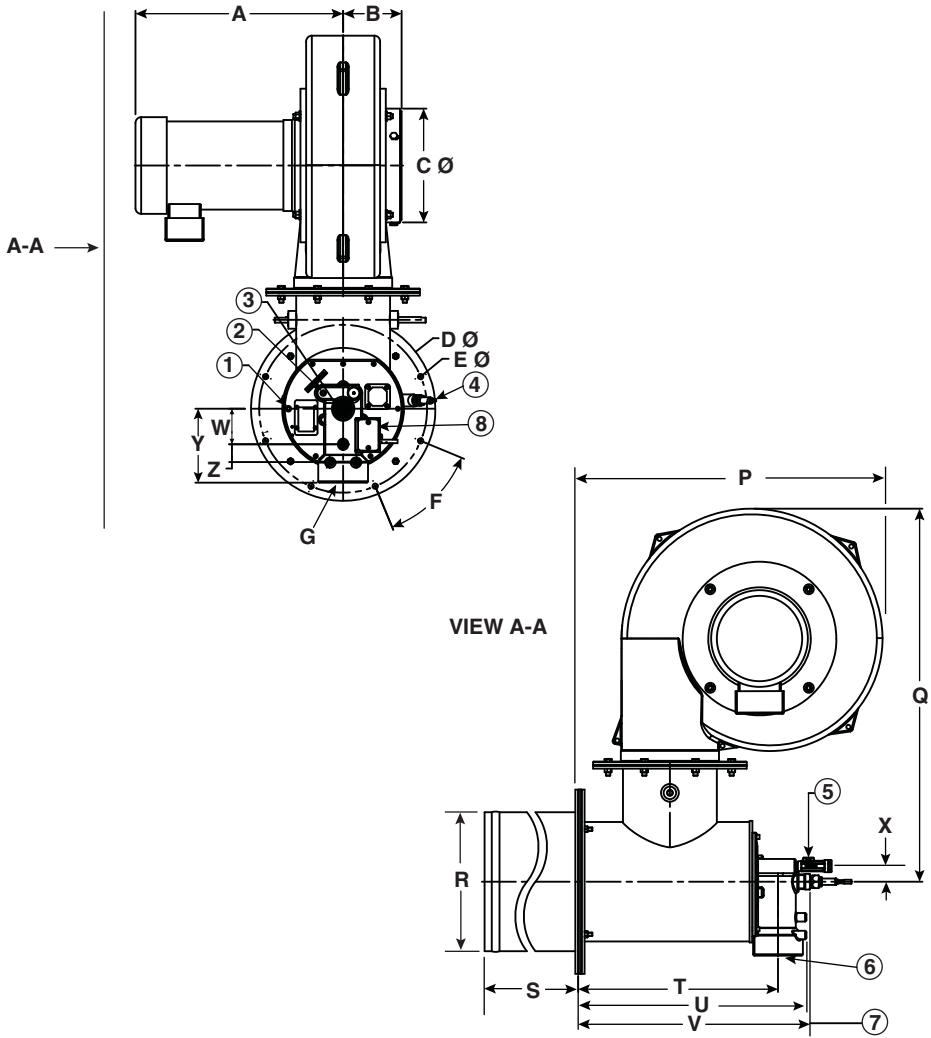


Dimensions in mm unless stated otherwise										
Model	A	B	C	D	E	F	G	P	Q	R
30	334	92	445	313	12	45°	2" NPT	546	702	260
35	372	95	451	313	12	45°	2" NPT	546	708	260
40	372	95	451	313	12	45°	2" NPT	546	708	260
45	406	108	475	313	12	45°	2" NPT	595	738	260

Dimensions in mm unless stated otherwise											
Model	S Std.	S Short	S Ref. lined	T	U	V	W	X	Y	Z	Weight kg
30	406	222	200	256	302	320	622	35	138	70	81.6
35				256	302	320	622	35	138	70	
40				256	302	320	622	35	138	70	
45				256	302	320	622	35	138	70	

OVENPAK® LE packaged burner size 70

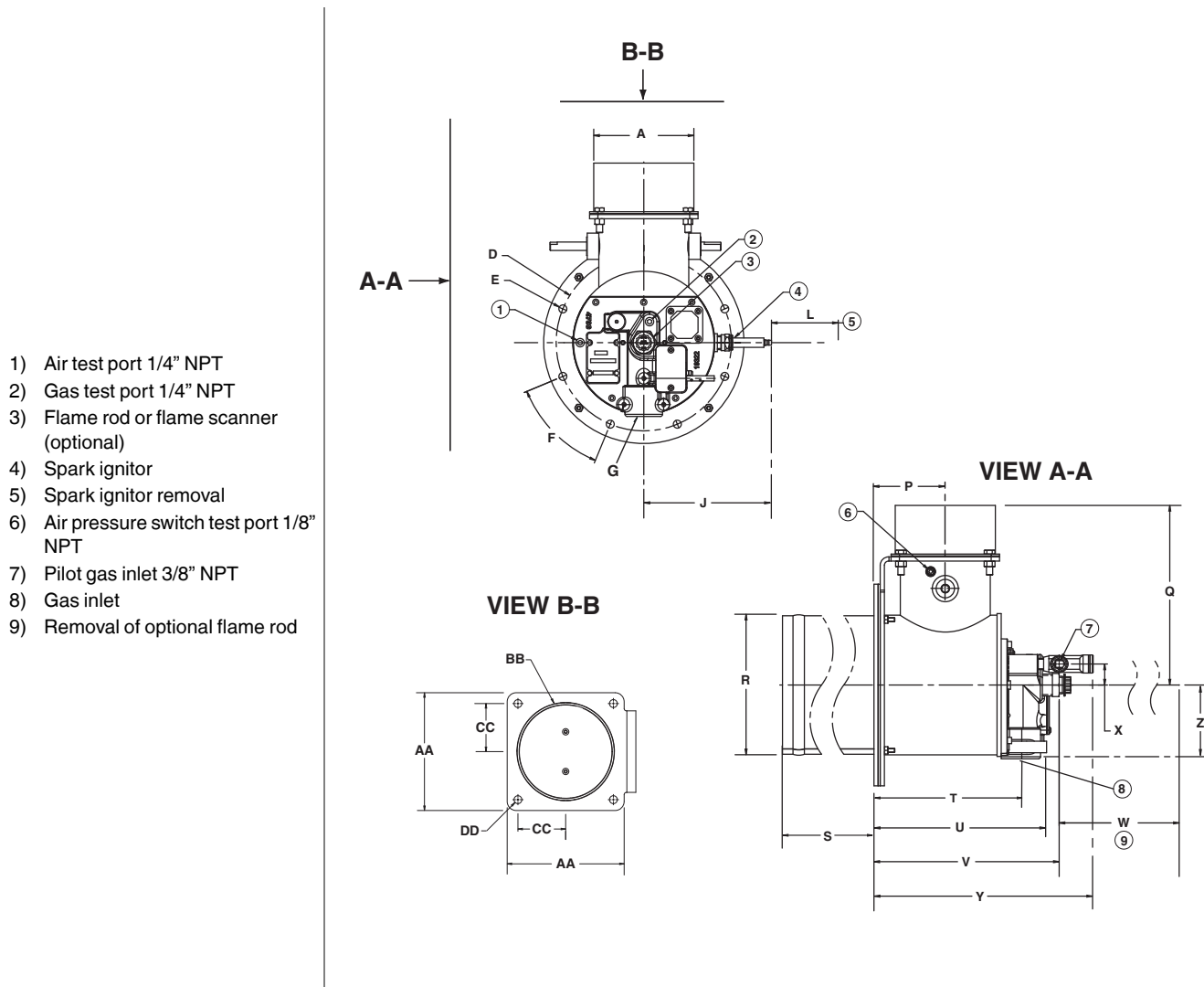
- 1) Air test port 1/4" NPT
- 2) Gas test port 1/4" NPT
- 3) Flame rod or UV scanner (optional)
- 4) Spark ignitor
- 5) Pilot gas inlet 3/8" NPT
- 6) Gas inlet
- 7) 760mm required for removal of optional flame rod
- 8) Tuning screw



Dimensions in mm unless stated otherwise										
Model	A	B	C	D	E	F	G	P	Q	R Ø
70	464	130	254	411	12	45°	3" NPT	680	832	313

Dimensions in mm unless stated otherwise									
Model	S Std.	T	U	V	W	X	Y	Z	Weight kg
70	587	446	510	518	79	35	165	40	81.6

OVENPAK® LE burner size EB40

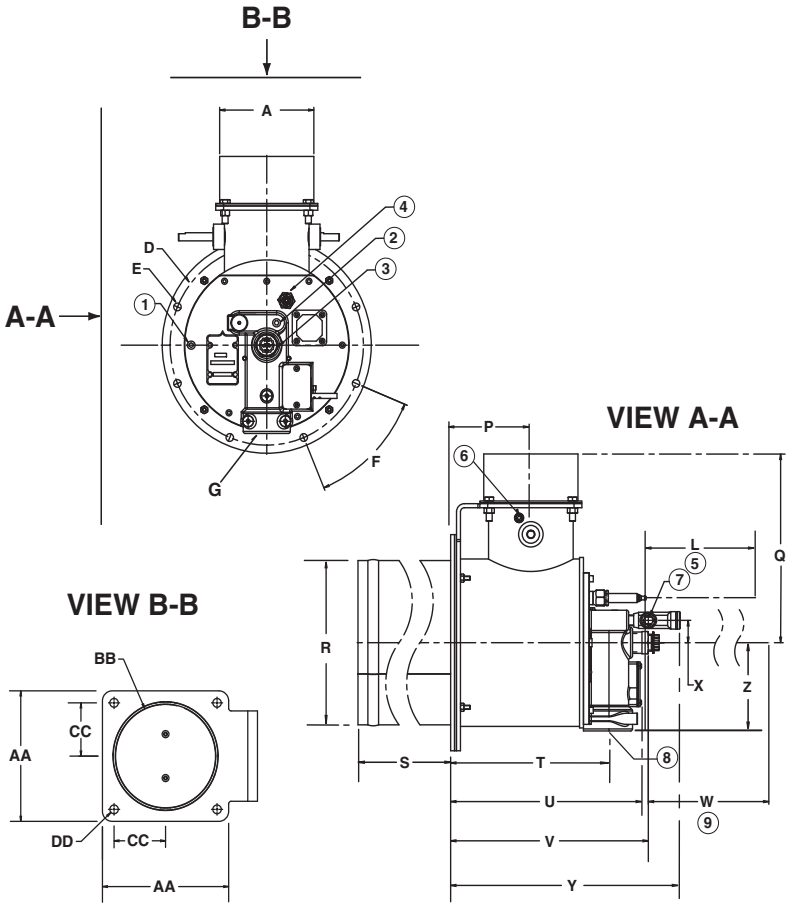


Dimensions in mm unless stated otherwise													
Model	A	D	E	F	G	J	L	P	Q	R	S Std.	S Short	S Ref. lined
EB40	152	267	12	45°	1-1/4" NPT	60	102	102	277	212	304	18	200

Dimensions in mm unless stated otherwise												
Model	T	U	V	W	X	Y	Z	AA	BB	CC	DD	Weight kg
EB40	227	263	282	470	32	334	112	165	132	67	11	20

OVENPAK® LE burner size EB65

- 1) Air test port 1/4" NPT
- 2) Gas test port 1/4" NPT
- 3) Flame rod or flame scanner (optional)
- 4) Spark ignitor
- 5) Spark ignitor removal
- 6) Air pressure switch test port 1/4" NPT
- 7) Pilot gas inlet 3/8" NPT
- 8) Gas inlet
- 9) Removal of optional flame rod

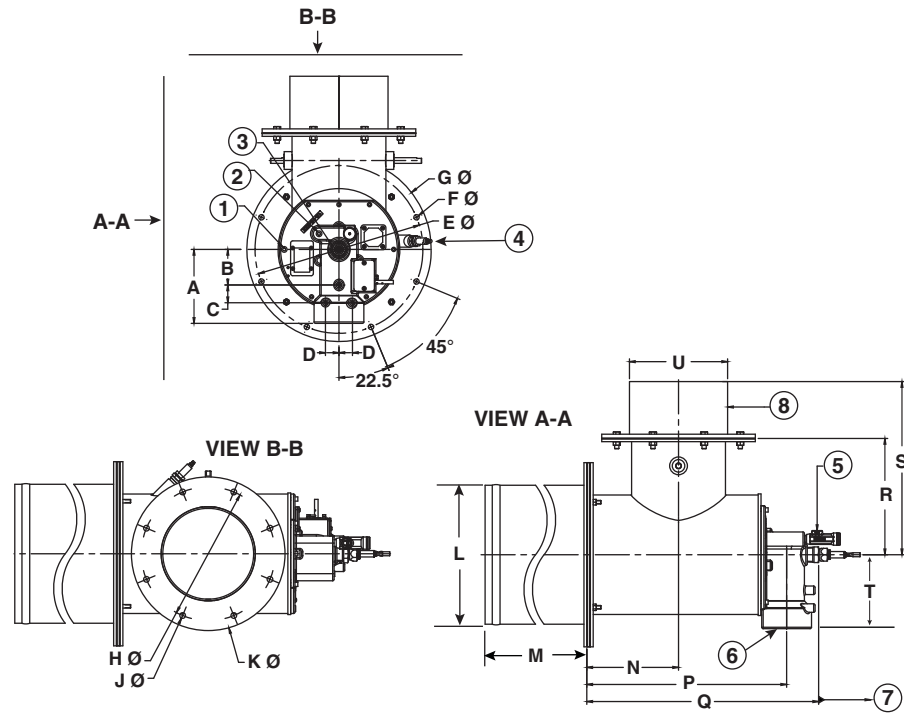


Dimensions in millimeters unless stated otherwise													
Model	A	D	E	F	G	H	L	P	Q	R	S Std.	S Short	S Ref. lined
EB65	152	313	12	45°	2" NPT	60	178	130	295	260	406	222	200

Dimensions in millimeters unless stated otherwise												
Model	T	U	V	W	X	Y	Z	AA	BB	CC	DD	Weight kg
EB65	256	302	320	622	35	371	138	165	132	67	11	30

OVENPAK® LE burner size EB100

- 1) Air test port 1/4" NPT
- 2) Gas test port 1/4" NPT
- 3) Flame rod or UV scanner (optional)
- 4) Spark ignitor
- 5) Pilot gas inlet 3/8" NPT
- 6) Gas inlet 3" NPT
- 7) 760mm required for removal of optional flame rod
- 8) Optional companion flange



Dimensions in millimeters unless stated otherwise										
Model	A	B	C	D	E Ø	F Ø	G Ø	H Ø	J Ø	K Ø
EB100	165	79	40	30	375	12	411	298	13	343

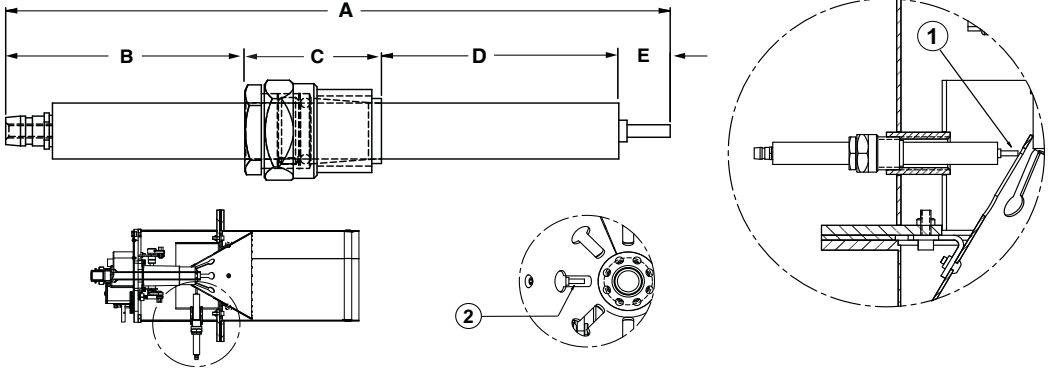
Dimensions in millimeters unless stated otherwise										
Model	L Ø	M	N	P	Q	R	S	T	U Ø	Weight kg
EB100	313	705	205	446	518	260	386	165	219	30

ACCESSORY DIMENSIONS

SPARK IGNITORS

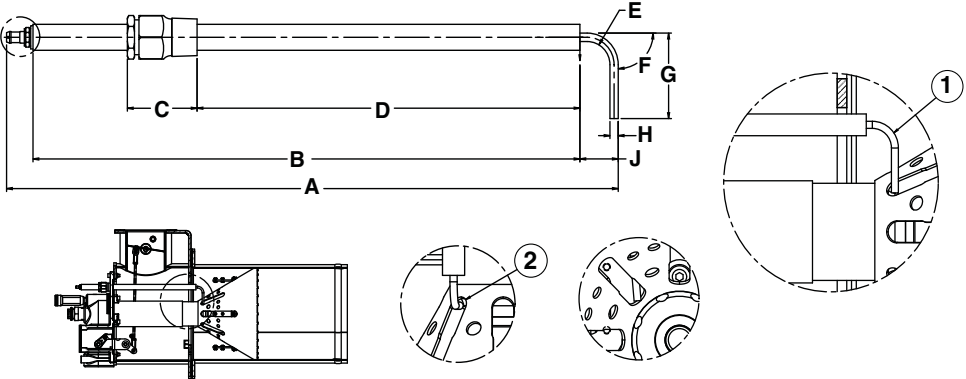
OPLÉ 5 through 25, EB40

- 1) Set spark ignitor flush with outside of mixing cone
- 2) Spark ignitor

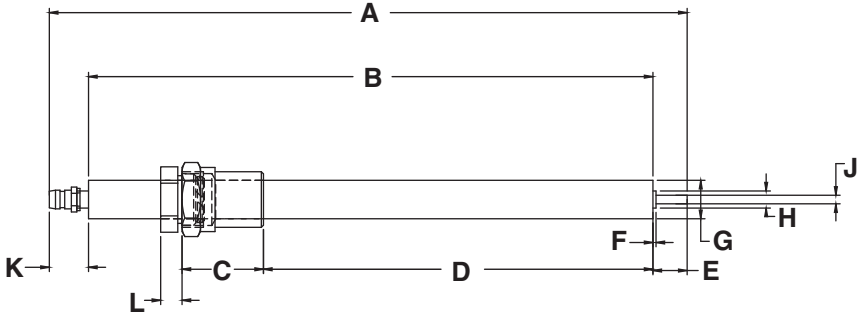


OPLÉ 30 through 45, EB65

- 1) Set spark ignitor electrode 3 mm-5 mm from side of slot in mixing cone
- 2) Spark ignitor to be located within mixing cone slot, and at least 3 mm from edge of slot



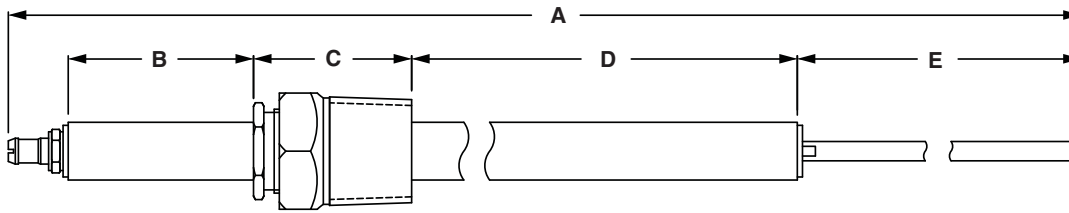
OPLÉ 70, EB100



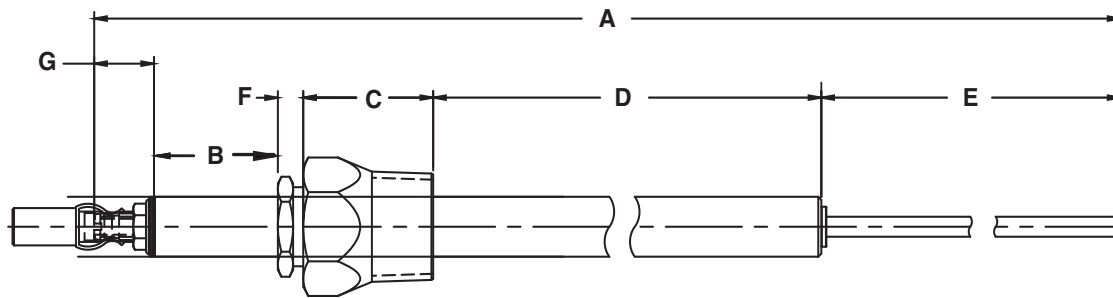
Dimensions in mm unless stated otherwise											
Burner model	A	B	C	D	E	F	G Ø	H Ø	J Ø	K	L
5-25, EB40	164	30	34	75	13	-	-	-	-	---	---
30-45, EB65	341	305	39	213	13	90°	47	5	21	---	---
70, EB100	236	210	30	145	13	1	14	6	3	15	8

FLAME RODS

OPLE 5 through 45, EB40 & EB65



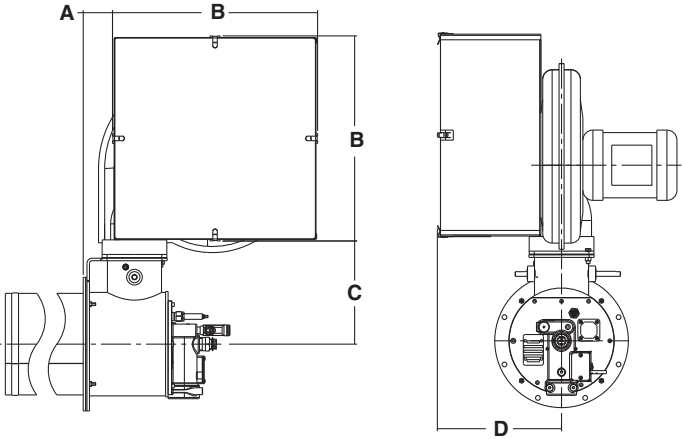
OPLE 70, EB100



Dimensions in mm unless stated otherwise							
Burner model	A	B	C	D	E	F	G
5 - 25, EB40	542	42	40	218	230	---	---
30 - 45, EB65	672	66	40	324	230	---	---
70, EB100	830	31	33	516	230	6	15

FILTER-SILENCER

OPLÉ 5 through 45



Size	dB(A)*	dB(A)* with silencer
5	80	78
10	85	81
13	85.7	81
15	86.1	82
25	87.2	84
30	89.3	82
35	89.5	82
40	89.5	82
45	88	83
70	94.2	84

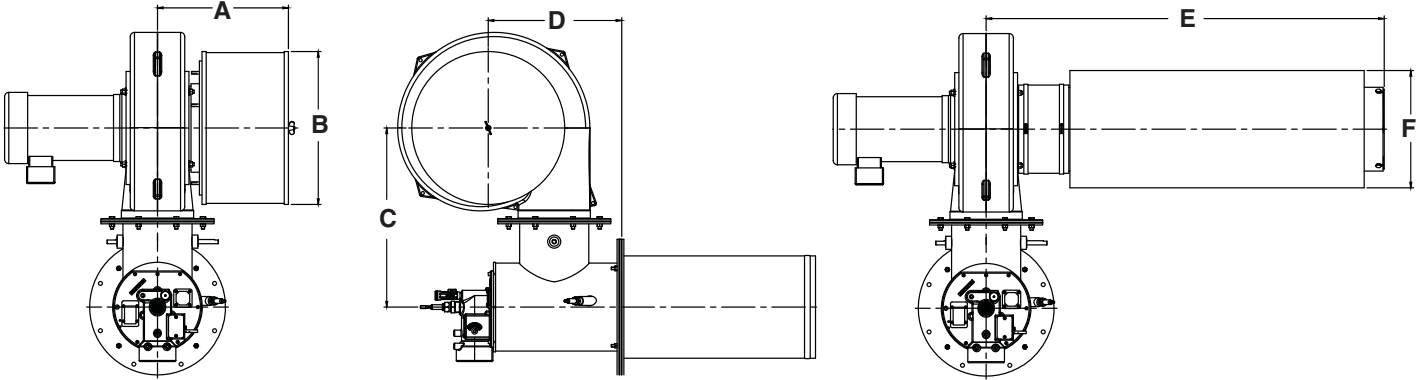
* dB(A) measured at 1 m to burner center

Dimensions in mm unless stated otherwise				
Burner model	A	B	C	D
5	53	519	237	314
10	53	519	237	314
13	30	519	218	354
15	53	519	237	314
25	53	519	237	314
30	74	519	261	314
35	55	621	239	322
40	55	621	239	322
45	75	621	269	345

OPLÉ 70

Filter option

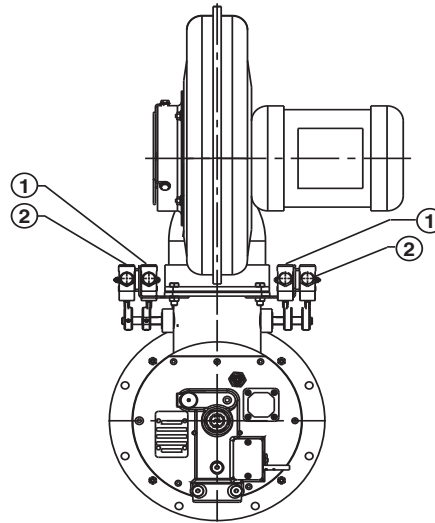
Silencer option



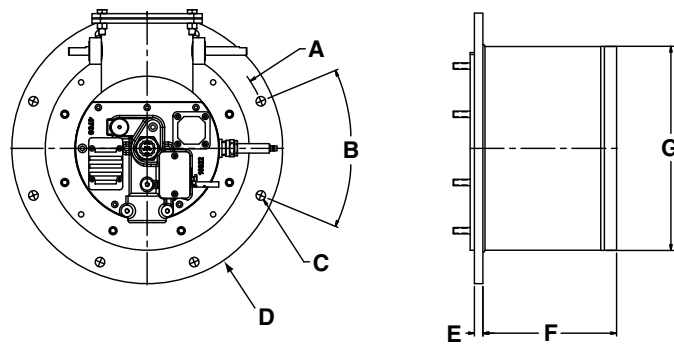
Dimensions in mm unless stated otherwise						
Burner model	A	B Ø	C	D	E	F Ø
70	396	464	543	405	1207	356

TYPICAL HI/LO POSITION SWITCHES

- 1) Lo position switch
- 2) Hi position switch



REFRACTORY LINED DISCHARGE SLEEVE

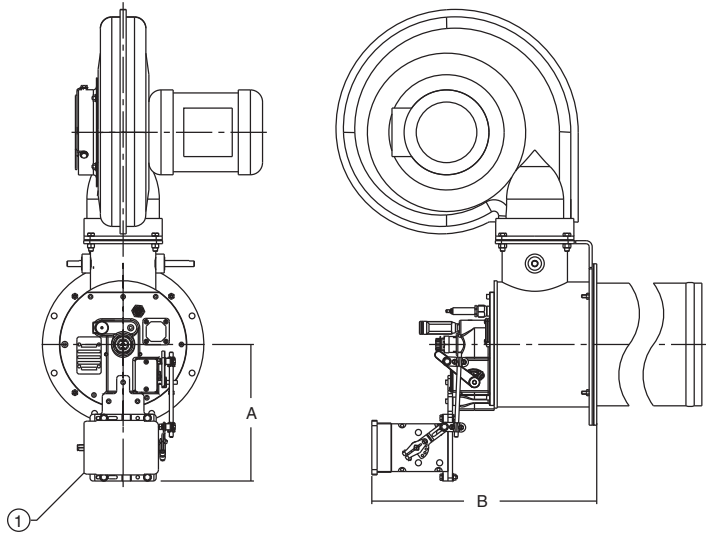


Dimensions in mm unless stated otherwise							
Burner size	A Ø	B	C Ø	D Ø	E	F	G Ø
5-10 OPLE	Not available						
13-25 OPLE 40 EB OPLE	368	45°	14	405	13	200	305
30-45 OPLE 65 EB OPLE	420	45°	14	457	13	200	359
70 OPLE 100 EB OPLE	Not available						

Note: Install refractory-lined sleeve so that metal sleeve is fully covered with insulation.

HONEYWELL MODUTROL

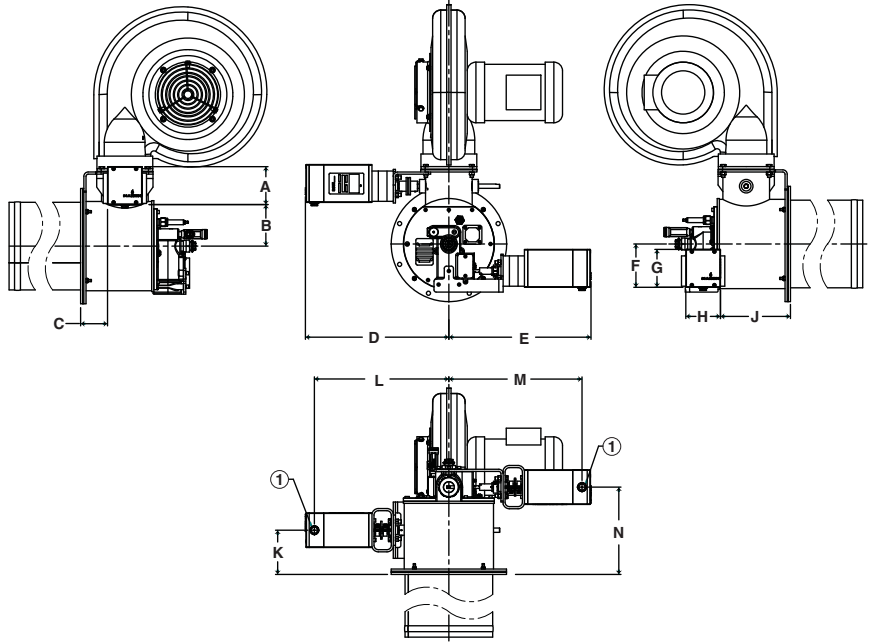
1) Control motor



Dimensions in mm unless stated otherwise		
Burner model	A	B
5-25	261	432
30-45 (shown)	286	471
70	286	678

MAXON SMARTLINK® MRV

1) 1/2" - 14 NPT



Dimensions in mm unless stated otherwise													
Burner model	A	B	C	D	E	F	G	H	J	K	L	M	N
5-25	111	98	58	420	417	111	102	102	176	109	394	390	227
30-45 (shown)	111	122	79	420	417	127	111	102	205	130	394	390	256
70	111	246	154	454	418	136	111	102	395	205	392	428	446

INSTALLATION AND OPERATING INSTRUCTIONS



Please read the operating and mounting instructions before using the equipment. Install the equipment in compliance with the prevailing regulations.

Bedrijfs- en montagehandleiding voor gebruik goed lezen! Apparaat moet volgens de geldende voorschriften worden geïnstalleerd.

Lire les instructions de montage et de service avant utilisation! L'appareil doit impérativement être installé selon les réglementations en vigueur.

Betriebs- und Montageanleitung vor Gebrauch lesen! Gerät muß nach den geltenden Vorschriften installiert werden.

Application requirements

VIEW PORT

A view port to observe burner flame is helpful to inspect flame aspect. Locate the view port downstream of the flame, looking back to the burner block. Make sure the complete flame can be evaluated.

REQUIRED ANCILLARY EQUIPMENT

Ensure that all ancillary equipment for safe operation and correct performance of the OVENPAK® LE burner is installed, as described in the applicable local codes and/or process-related instructions. An accurate control of the air/gas ratio is essential for optimal performance of the burner.

SUPPORT BURNER AIR AND GAS PIPING

The OVENPAK® LE burner shall not be used as support for the piping to the burner. Gas and air piping shall be supported in such a way that no additional loads will be created on the burner.

BURNER MOUNTING FLANGE LOADS

Check burner weight and reinforce burner mounting flange or combustion chamber/furnace back wall if necessary to take complete burner weight.

INSTALLATION INSTRUCTIONS

STORAGE

OVENPAK® LE burners shall be stored dry (inside).

HANDLING

OVENPAK® LE burners are shipped as complete units. Packaged burners may be shipped with blowers removed. Handle burners with care during unpacking, transport, lifting and installation. Use proper equipment. Any impact on the burner could result in damage.

FLANGE THE BURNER TO THE INSTALLATION

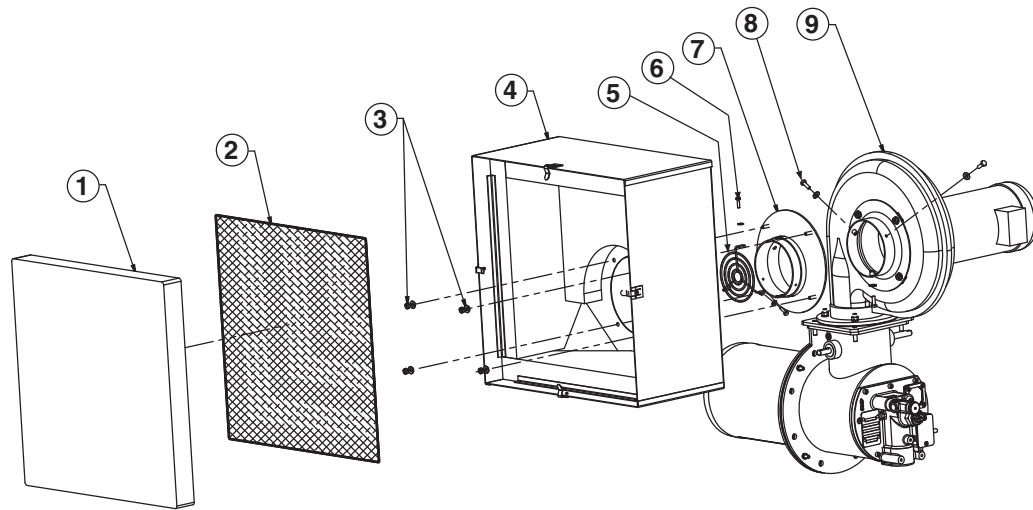
Bolt the burner to the installation's burner mounting flange. Use proper gasketing. Tighten the flange bolting with correct torque. Retighten all bolts after first firing and regularly after commissioning.

Filter assembly

Filters and blowers are shipped loose and require assembly prior to burner installation. See the sketches below for proper filter assembly instructions.

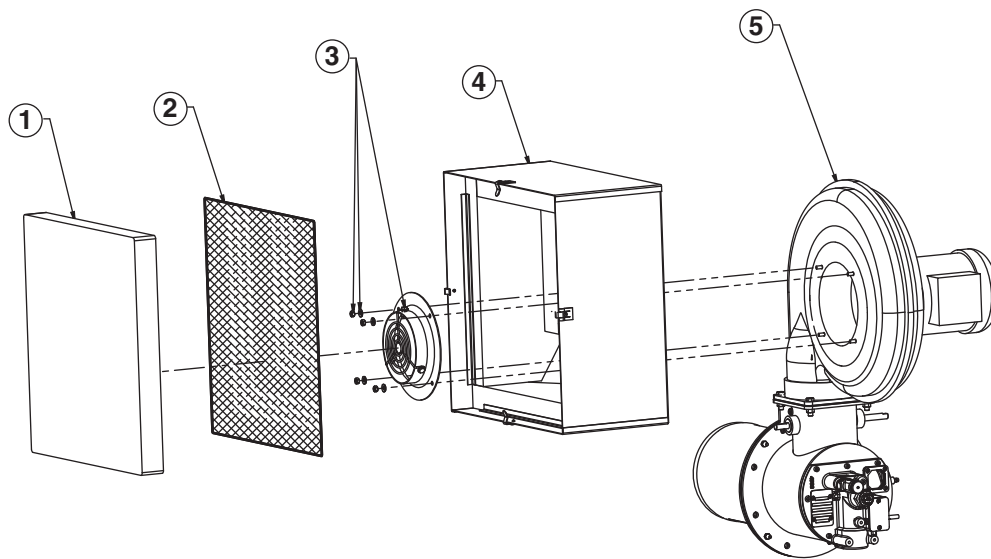
Packaged burner size OPLE 5, 10 & 13

- 1) Filter element
- 2) Filter screen
- 3) Fasteners supplied with filter assembly
- 4) Filter housing
- 5) Inlet guard supplied with blower
- 6) Fasteners supplied with filter assembly
- 7) Filter adapter
- 8) Fasteners supplied with blower
- 9) Blower



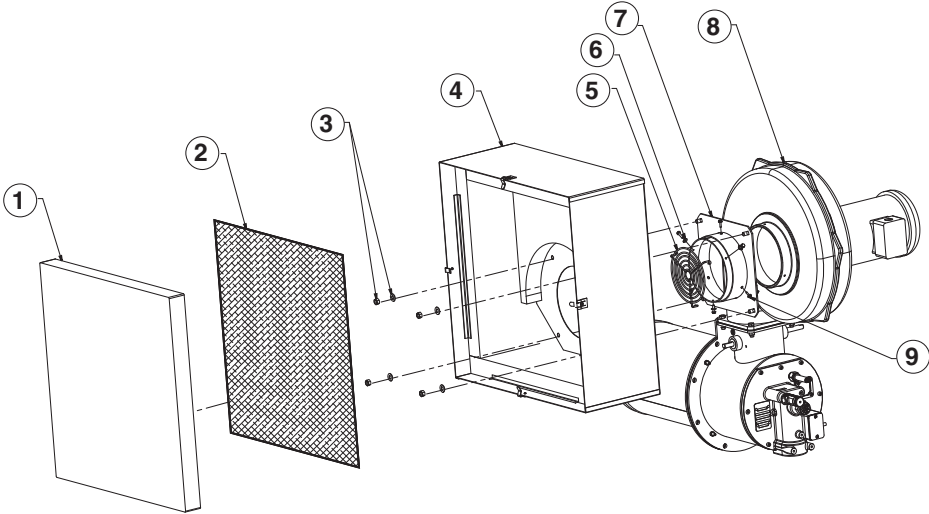
Packaged burner sizes OPLE 15, 25 & 30

- 1) Filter element
- 2) Filter screen
- 3) Inlet guard and fasteners supplied with blower
- 4) Filter housing
- 5) Blower



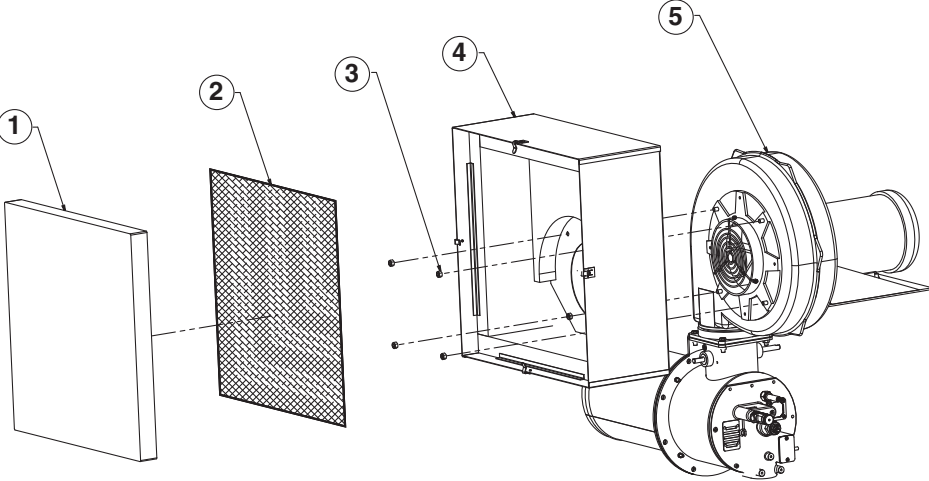
Packaged burner sizes OPLE 35 & 40

- 1) Filter element
- 2) Filter screen
- 3) Fasteners supplied with filter assembly
- 4) Filter housing
- 5) Inlet guard supplied with blower
- 6) Fasteners supplied with filter assembly
- 7) Filter adapter
- 8) Blower
- 9) Fasteners supplied with blower



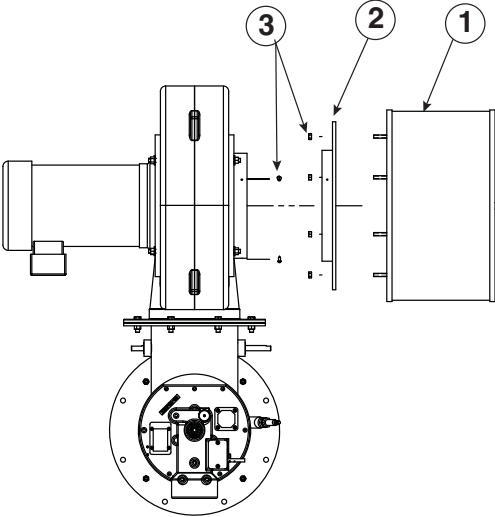
Packaged burner size OPLE 45

- 1) Filter element
- 2) Filter screen
- 3) Nuts supplied with blower
- 4) Filter housing
- 5) Blower



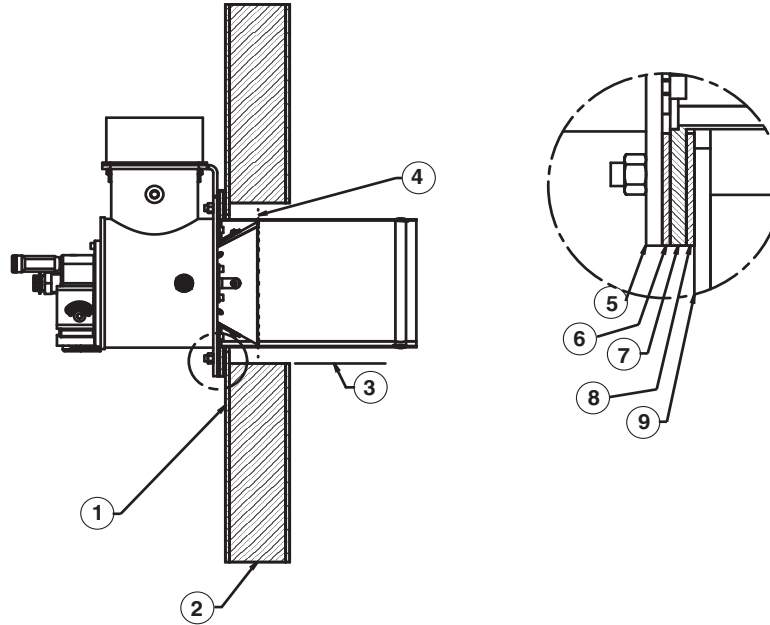
Packaged burner size OPLE 70

- 1) Filter
- 2) Adapter flange
- 3) Hardware (provided)

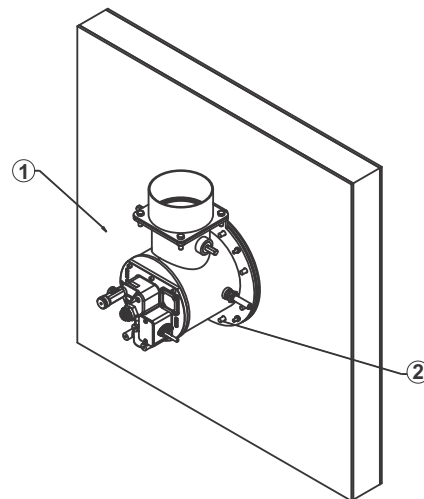


Burner mounting

- 1) Heater shell
- 2) Insulated wall (150 mm maximum depth)
- 3) Cut opening 25 mm larger than sleeve diameter
- 4) This area may be packed with insulation up to 50 mm in depth
- 5) Burner flange
- 6) Gasket supplied with burner
- 7) Discharge sleeve-flange
- 8) Optional gasket
- 9) Heater wall



- 1) Ensure heater shell can support burner weight. If not, add a stiffening plate or support burner weight by other means.
- 2) Mounting studs (by others)



START-UP INSTRUCTIONS

Instructions provided by the company or individual responsible for the manufacture and/or overall installation of a complete system incorporating MAXON burners take precedence over the installation and operating instructions provided by MAXON. If any of the instructions provided by MAXON are in conflict with local codes or regulations, please contact MAXON before initial start-up of equipment.



Read the combustion system manual carefully before initiating the start-up and adjustment procedure. Verify that all of the equipment associated with and necessary to the safe operation of the burner system has been installed correctly, that all pre-commissioning checks have been carried out successfully and that all safety related aspects of the installation are properly addressed.

Initial adjustment and light-off should be undertaken only by a trained commissioning engineer.

CHECKS DURING AND AFTER START-UP

During and after start-up, check the integrity of the system. Check all bolted connections after first firing (first time on temperature) and retighten if necessary.

PILOT IGNITION

Before ignition of the pilot, adjust the combustion air to the minimum burner air flow. Pilot will not ignite if too high an air flow exists. Set pilot gas flow to the correct value before pilot ignition attempt.

MAIN BURNER IGNITION

Set correct gas flow for burner minimum capacity before attempt of main burner ignition. After ignition of main burner, allow some time on minimum capacity to allow the burner parts to heat up slowly.

ADJUST AIR/GAS RATIO, SET MAXIMUM CAPACITY

Once the main flame is ignited, adjust air/gas ratio of the burner to have the required combustion quality and slowly increase capacity. Do not increase capacity too fast to avoid damage to burner parts or furnace due to excessive temperature gradient. For OVENPAK® LE, adjust fuel pressures to be always equal to combustion air pressures.

INITIAL ADJUSTMENTS OF BURNER PRIOR TO LIGHT OFF (EB OPLE)

- With the burner not lit and the combustion air fan running, force the system to a purge (or high fire) condition.
- With the system at a purge condition, adjust the combustion air until the required differential combustion air is achieved for high fire.
- Force the system to a light off condition, and adjust the minimum position to the required differential combustion air condition.

ADJUSTMENTS AFTER BURNER IS LIT (EB OPLE)

- Connect a manometer to the combustion air test connection, and differentially to the gas test connection on the burner.
- Adjust the gas on each index until each index is a reading of zero all the way to high fire.

MAINTENANCE & INSPECTION INSTRUCTIONS

SAFETY REQUIREMENTS

Regular inspection, testing and recalibration of combustion equipment according to the installation manual is an integral part of its safety. Inspection activities and frequencies shall be carried out as specified in the installation manual.

VISUAL INSPECTIONS

Regular visual inspection of all connections (air and gas piping to the burner, bolting of the burner to the furnace) and burner flame size and aspect are essential.

SPARE PARTS

Keep local stock of spark ignitor. It is not recommended to keep local stock of other burner parts. Consult installation manual for burner spare parts and system accessories.

Commercial & Industrial Combustion (C&IC)

Honeywell

MUNCIE, INDIANA, USA

Maxon
201 East 18th Street
P.O. Box 2068
Muncie, IN 47307-0068
Tel: 765.284.3304
Fax: 765.286.8394

GOLDEN VALLEY, MINNESOTA, USA
Honeywell Automation and Control Solutions
1985 Douglas Drive North
Golden Valley, MN 55422-3992
www.honeywell.com

Canada Sales Office

TORONTO
Maxon Industrial Equipment
3333 Unity Drive
Mississauga, Ontario L5L 3S6
Tel: 800.489.4111
Fax: 855.262.0792

European Sales Office

BELGIUM
Maxon International BVBA
Luchthavenlaan 16-18
1800 Vilvoorde, Belgium
Tel: 32.2.255.09.09
Fax: 32.2.251.82.41

Asia/Pacific Sales Office

SINGAPORE
Maxon
Honeywell Building
17 Changi Business Park, Central 1
Singapore 486073
Tel: 65.6580.3358
Fax: 65.6580.3345

China Sales Office

SHANGHAI
Maxon Combustion Equipment
(Shanghai) Co., Ltd.
1st Floor & Section A, 4th Floor
225 Meisheng Road
Wai Gao Qiao Free Trade Zone
Pudong New Area
Shanghai 200131, P.R. China
Tel: 86.21.5866.1166
Fax: 86.21.5868.1569

India Sales Office

PUNE
Maxon
53, 54, 56, 57 Hadapsar Industrial Estate
Environmental & Combustion Controls
Sapphire Building 2nd Floor, A Wing
Pune 411013 India
Tel: 91.98.50907894
Tel: 91.20.66008330
Tel: 91.20.66008509
Fax: 91.20.66039979

Sales Offices &
Representatives Worldwide

maxoncorp.com
customer.honeywell.com

The Honeywell logo is displayed in a bold, red, sans-serif font.