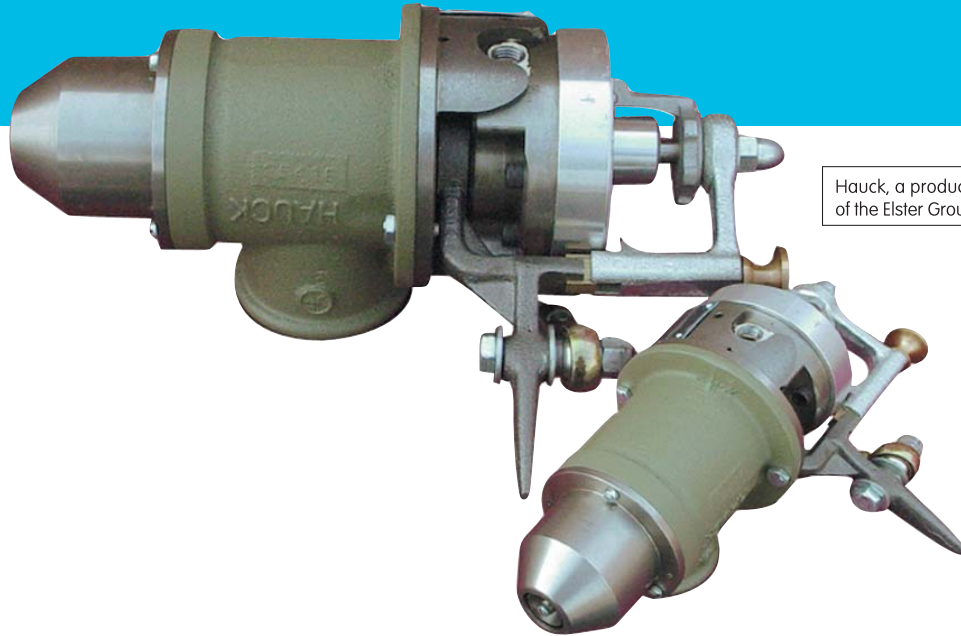


780 SERIES

Self-Proportioning Oil Burners

780P-1
Edition 07-08

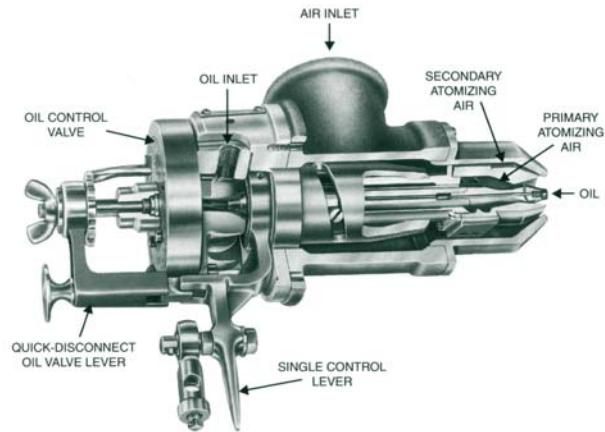


Hauck, a product brand
of the Elster Group



- Burns all grades of fuel oil
- Accurately proportions oil and air
- Highly reliable and efficient using low pressure atomizing air
- Single lever control
- Simplified installation and operation
- Worldwide industry standard for oil burner applications
- Integrated oil flow control valve

The 780 Series burners are self-proportioning, oil-fired burners designed for highly efficient operation using low pressure atomizing air. This results in lowered operating costs due to the reduced power consumption of a low pressure blower compared to an air compressor. The 780 Series also eliminates the need for costly high pressure steam for atomization and the need for an atomizing air blower. The burner will operate with air pressures ranging from 16 to 32 osig (6,900 to 13,800 Pa).



780 Series Burner Cutaway View

The 780 series can be fired on No. 2 through No. 6 fuel oil with capacities ranging from 200,000 to 14,000,000 Btu/hr (59 to 4,100 kW). Higher capacities are available with induced air.

The 780 burner is not designed for sealed-in ratio firing in a cold furnace. Special mounting brackets with induced air ports are used to mount the burner to a furnace wall.

All grades of fuel oil, even the heaviest, are completely atomized to provide the most efficient combustion. Superb atomization is achieved by controlling the air flow at the nozzle outlet. Constant full primary and secondary atomizing air pressure are maintained at the point of atomization. This unique characteristic of the 780 Series ensures complete atomization over the entire burner capacity range.

Heavy and reclaimed oils must be heated to a viscosity of 90 SSU ($1.8 \times 10^{-5} \text{m}^2 \text{sec}$). The oil temperature should be held constant to avoid variation in the burner firing rates. By piping an oil return line to the oil recirculation connection provided, hot oil can be circulated up to and through the oil control valve at each burner. Heat tracing and insulation of piping is recommended for hot oil installations to minimize the exposed cold piping in the system and improve heavy or reclaimed oil atomization.

780 Series burners are suitable for installations requiring highly reliable, efficient oil-only operation. The burner is suited for a wide variety of applications including kilns, furnaces and dryers.

Accessories available for the 780 Series include:

- burner mounting brackets
- furnace mounting plates
- ignition tiles
- ignition chambers
- low fire switches
- oil manifolds
- gas pilots

Though designed to use oil, the burner can be easily retrofitted for operation on any clean industrial fuel gas - consult Hauck.

For additional information on this product, visit our website at:

www.hauckburner.com

Hauck Manufacturing Company
POB 90
Lebanon, PA 17042

T +1 717-272-3051
F +1 717-273-9882
info@hauckburner.com

Hauck, a product brand
of the Elster Group



Copyright © 2008 Elster Group