

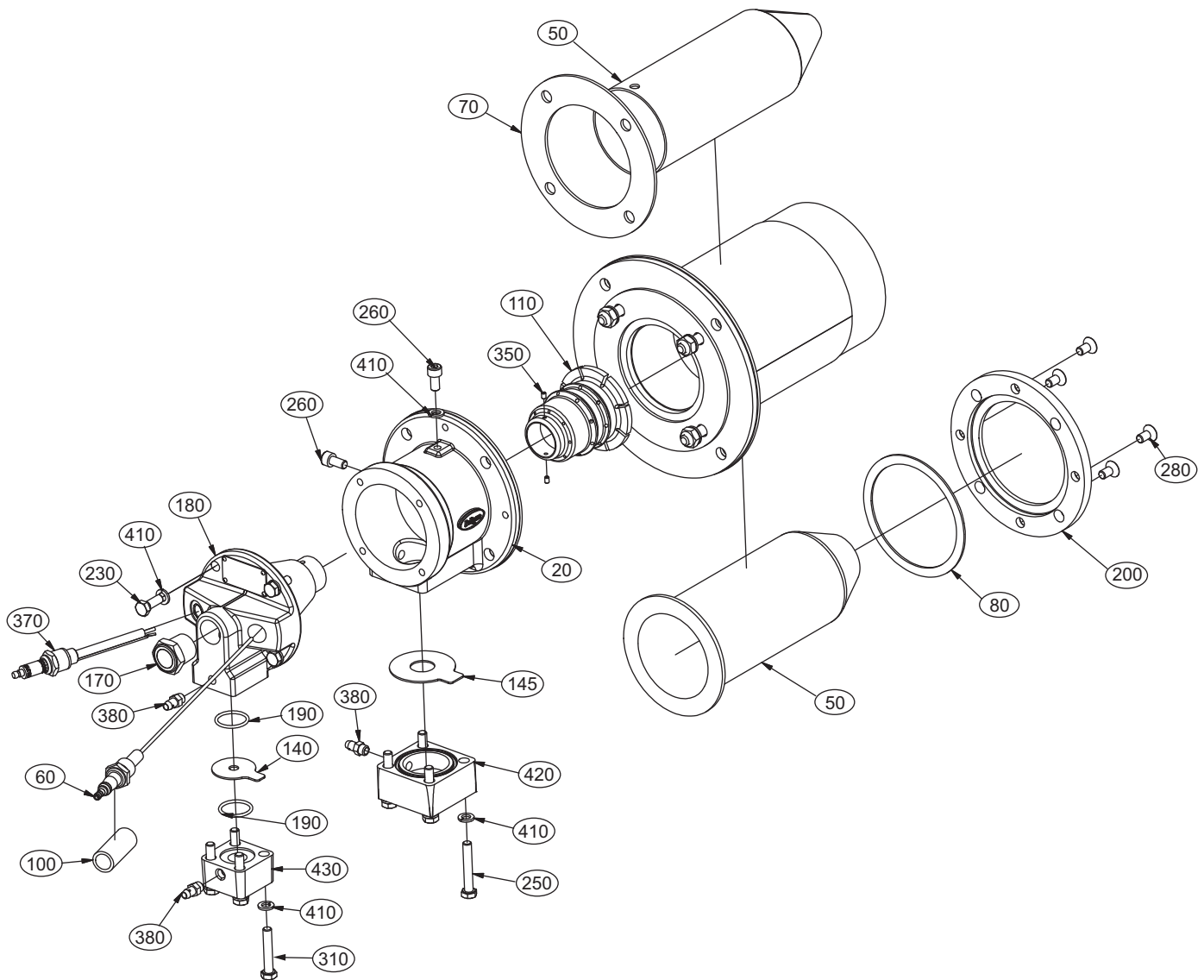
# Eclipse ThermJet Burners

Spare Parts List 205-1

10/31/2012

Model TJ0015

Version 2.7



Ref	Part Number	Description
50	187265-1	Block & Holder Assembly, HV
50	187265-2	Block & Holder Assembly, MV
50	108715-1	Combustor, Alloy HV
50	108715-2	Combustor, Alloy MV
50	17046-1	Combustor, SiC HV
50	17046-2	Combustor, SiC MV
60	10002242-1	Flamerod
70	17054	Gasket, Mounting
80	19971	Silicon Carbide Gasket
100	18720	UV Scanner Adapter
110	7033-1	Nozzle, Cast Iron

Ref	Part Number	Description
110	7125-1	Nozzle, Stainless Steel
110	10026919	Nozzle for Flamerod, Cast Iron
110	10026926	Nozzle for Flamerod, Stainless
140	14191-13	Orifice Plate, Natural Gas, 7.0 mm
140	14191-14	Orifice Plate, Propane, 5.5 mm
140	14191-14	Orifice Plate, Butane, 5.5 mm
145	14934-6	Orifice Plate, Air, 23.0 mm
170	10509	Peepsight
190	14777	O-ring
200	19970	Retaining Ring, SiC

(Continued on next page)

## TJ0015 Spare Parts List *(continued)*

Ref	Part Number	Description
260	16022	Screw M8 x 16
350	19969	Set Screw M4 x 6
350	10024662	Stainless Set Screw
370	23045	Spark Plug
380	13445	Pressure Tap

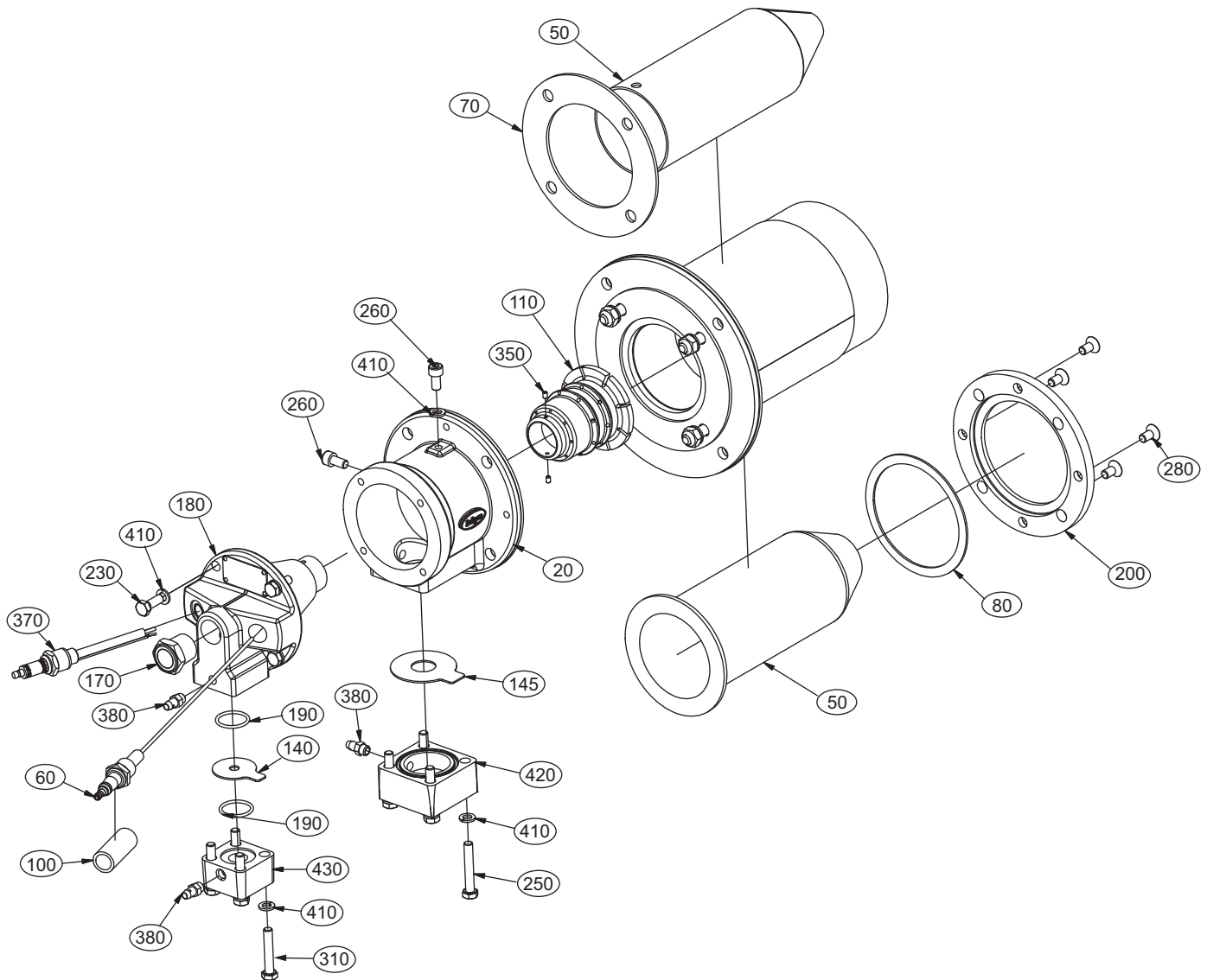
# Eclipse ThermJet Burners

Spare Parts List 205-2

10/31/2012

Model TJ0025

Version 2.7



Ref	Part Number	Description
50	187265-2	Block & Holder Assembly, HV
50	187265-3	Block & Holder Assembly, MV
50	108715-2	Combustor, Alloy HV
50	108715-3	Combustor, Alloy MV
50	17046-2	Combustor, SiC HV
50	17046-3	Combustor, SiC MV
60	10002242-1	Flamerod
70	17054	Gasket, Mounting
80	19971	Silicon Carbide Gasket
100	18720	UV Scanner Adapter
110	7033-2	Nozzle, Cast Iron

Ref	Part Number	Description
110	7135-1	Nozzle, Stainless Steel
110	10026920	Nozzle for Flamerod, Cast Iron
110	10026927	Nozzle for Flamerod, Stainless
140	14191-8	Orifice Plate, Natural Gas, 9.1 mm
140	14191-13	Orifice Plate, Propane, 7.0 mm
140	14191-13	Orifice Plate, Butane, 7.0 mm
145	14934-7	Orifice Plate, Air, 29.0 mm
170	10509	Peepsight
190	14777	O-ring
200	19970	Retaining Ring, SiC

(Continued on next page)

## TJ0025 Spare Parts List *(continued)*

Ref	Part Number	Description
260	16022	Screw M8 x 16
350	19969	Set Screw M4 x 6
350	10024662	Stainless Set Screw
370	23045	Spark Plug
380	13445	Pressure Tap

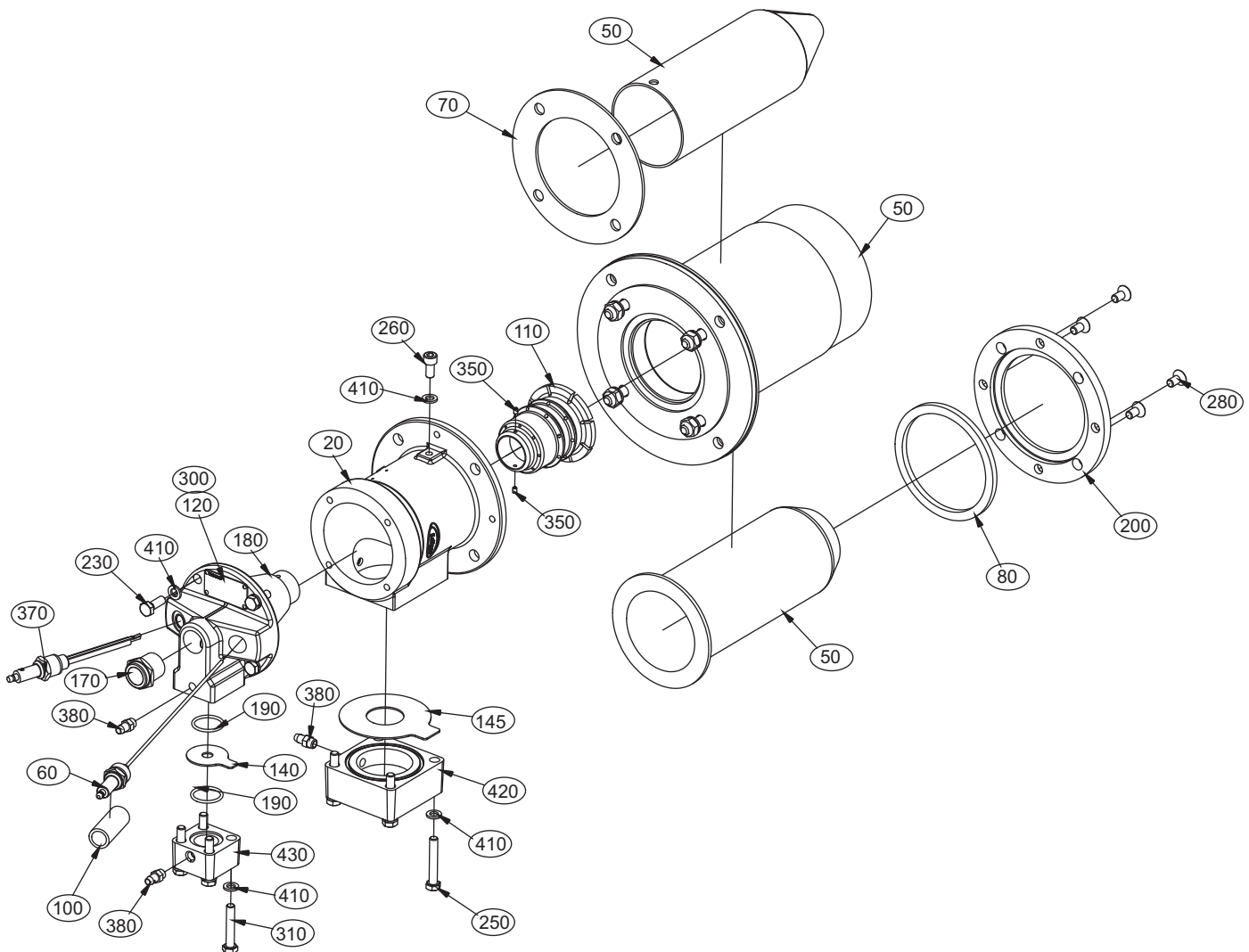
# Eclipse ThermJet Burners

Spare Parts List 205-2.5

10/31/2012

Model TJ0040

Version 2.7



Ref	Part Number	Description
50	17046-3	Combustor, SiC HV
50	17046-4	Combustor, SiC MV
50	100234-1	Block and Holder Assembly, HV
50	100234-2	Block and Holder Assembly, MV
50	108715-3	Combustor, Alloy HV
50	108715-4	Combustor, Alloy MV
60	10002242-1	Flamerod
70	17054	Gasket, Mounting
80	19971	Silicon Carbide Gasket
100	18720	UV Scanner Adapter
110	7033-3	Nozzle, Cast Iron
110	7125-2	Nozzle, Stainless Steel
110	10026921	Nozzle for Flamerod, Cast Iron
110	10026928	Nozzle for Flamerod, Stainless

Ref	Part Number	Description
140	14191-6	Orifice Plate, Natural Gas, 10.8 mm
140	14191-8	Orifice Plate, Propane, 9.1 mm
140	14191-8	Orifice Plate, Butane, 9.1 mm
145	14188-5	Orifice Plate, Air, 37.0 mm
170	10509	Peepsight
190	14777	O-ring
200	19970	Retaining Ring, SiC
260	16022	Screw M8 x 16
350	19969	Set Screw M4 x 6
350	10024662	Stainless Set Screw
370	23045	Spark Plug
380	13445	Pressure Tap

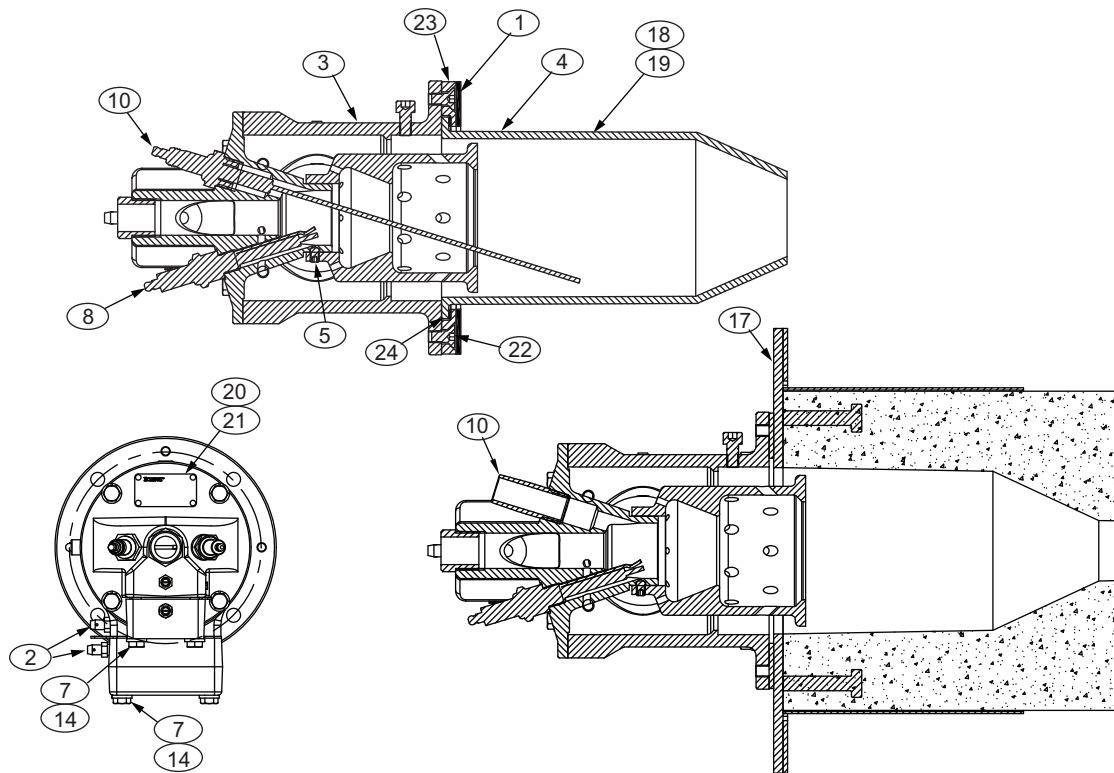
# Eclipse ThermJet Burners

Spare Parts List 205-3

10/31/2012

Model TJ0050

Version 2.7



Ref	Part Number	Description
1	20422	Gasket, Mounting
2	13445	Pressure Tap
4	7133-1	Nozzle, Cast Iron
4	7126-1	Nozzle, Stainless Steel
4	10026923	Nozzle for Flamerod, Cast Iron
4	10026929	Nozzle for Flamerod, Stainless
5	15885	Set Screw M6 x 10
5	10024356	Stainless Set Screw M6 x 10
8	10019728	Spark Plug
10	18720	UV Scanner Adapter
10	10002242-1	Flamerod
17	10025728	Down Fired Block and Holder HV
17	10025726	Down Fired Block and Holder MV
17	187329-68	Block and Holder Assembly, HV
17	187328-68	Block and Holder Assembly, MV
18	21793-2	Combustor, SiC HV
18	21793-1	Combustor, SiC MV
19	21747-2	Combustor, Alloy HV
19	21747-1	Combustor, Alloy MV
23	20464	Retaining Ring, SiC
24	10005080	Silicon Carbide Gasket

Ref	Part Number	Description
N/S	10509	Peepsight
N/S	17037	O-ring
N/S	14934-17	Orifice Plate, Natural Gas, 11.5 mm
N/S	14934-13	Orifice Plate, Propane, 8.5 mm
N/S	14934-12	Orifice Plate, Butane, 8.0 mm
N/S	20362-5	Orifice Plate, Air, 42.0 mm
N/S	16022	Screw M8 x 16

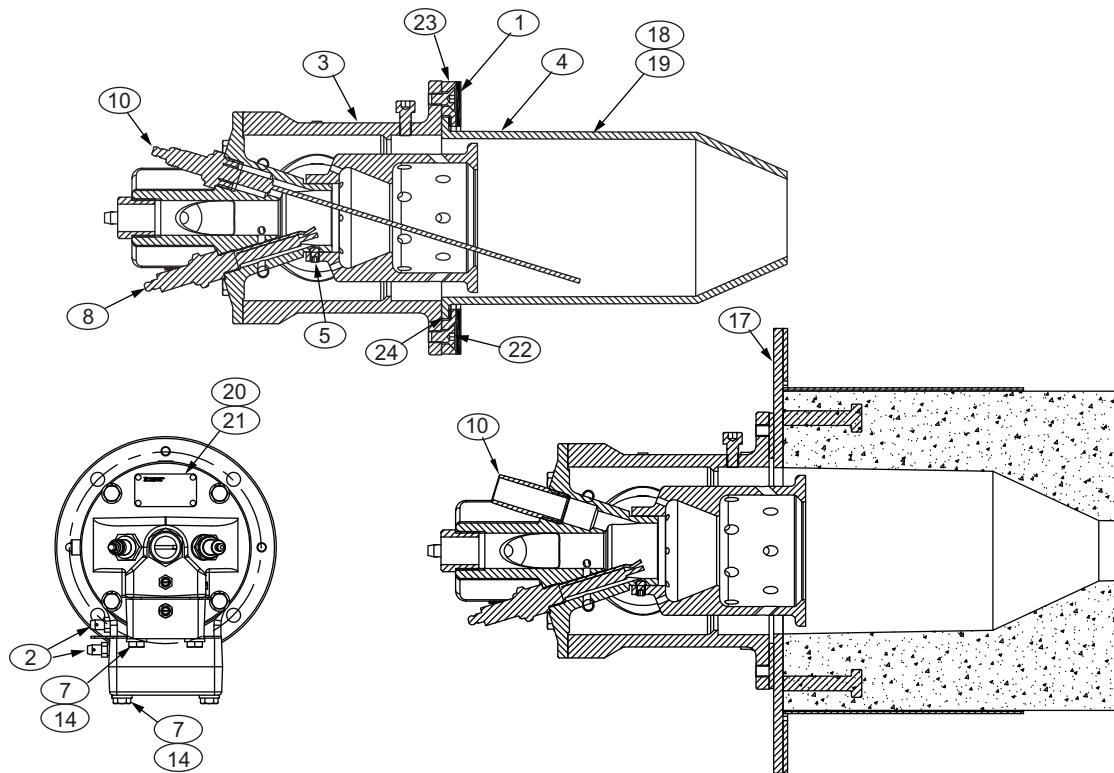
# Eclipse ThermJet Burners

Spare Parts List 205-4

10/31/2012

Model TJ0075

Version 2.7



Ref	Part Number	Description
1	20422	Gasket, Mounting
2	13445	Pressure Tap
4	7133-2	Nozzle, Cast Iron
4	7137-1	Nozzle, Stainless Steel
4	10026924	Nozzle for Flamerod, Cast Iron
4	10026930	Nozzle for Flamerod, Stainless
5	15885	Set Screw M6 x 10
5	10024356	Stainless Set Screw M6 x 10
8	10019728	Spark Plug
10	18720	UV Scanner Adapter
10	10002242-1	Flamerod
17	10025726	Down Fired Block and Holder HV
17	10025727	Down Fired Block and Holder MV
17	187328-68	Block and Holder Assembly, HV
17	187330-68	Block and Holder Assembly, MV
18	21793-1	Combustor, SiC HV
18	21793-3	Combustor, SiC MV
19	21747-1	Combustor, Alloy HV
19	21747-3	Combustor, Alloy MV
23	20464	Retaining Ring, SiC
24	10005080	Silicon Carbide Gasket

Ref	Part Number	Description
N/S	10509	Peepsight
N/S	17037	O-ring
N/S	14934-10	Orifice Plate, Natural Gas, 13.5 mm
N/S	14934-3	Orifice Plate, Propane, 10.0 mm
N/S	14934-2	Orifice Plate, Butane, 9.0 mm
N/S	20362-6	Orifice Plate, Air, 49.0 mm
N/S	16022	Screw M8 x 16

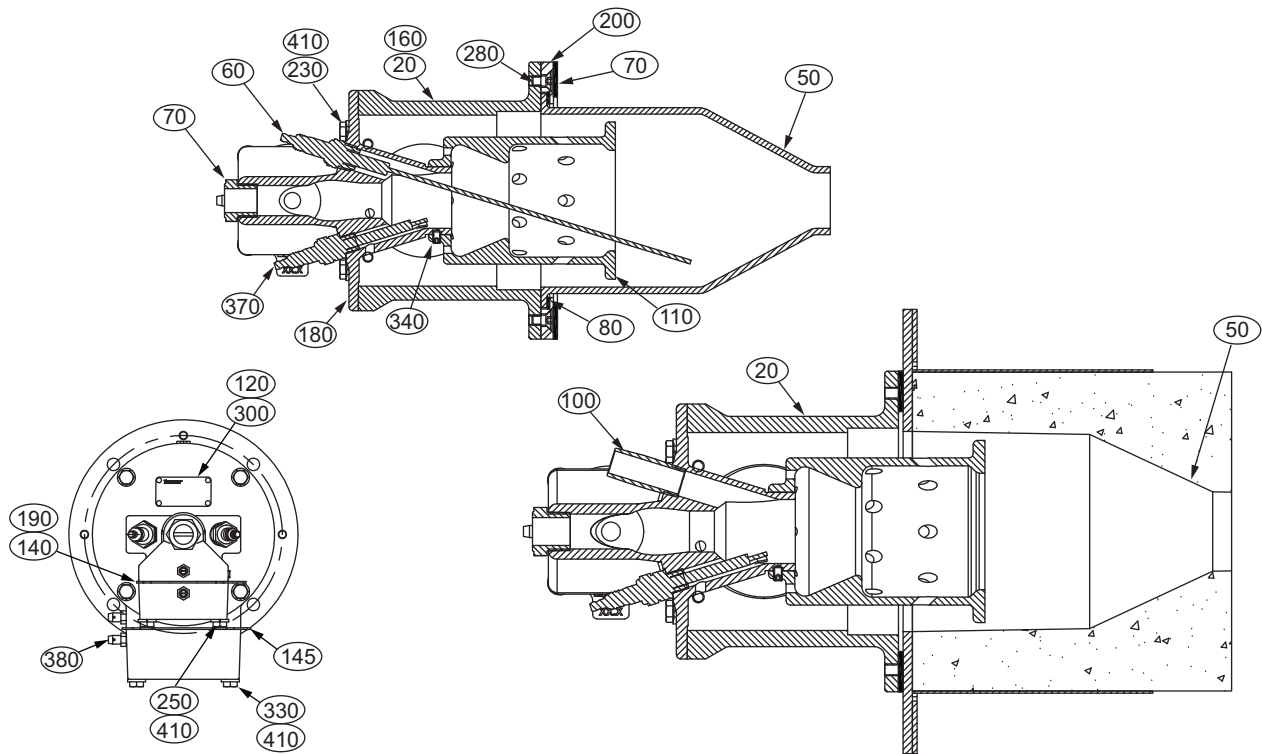
# Eclipse ThermJet Burners

Spare Parts List 205-5

10/31/2012

Model TJ0100

Version 2.7



Ref	Part Number	Description
50	187302-68	Block and Holder Assembly, HV
50	187300-68	Block and Holder Assembly, MV
50	17180	Combustor, SiC HV
50	17181	Combustor, SiC MV
50	17182	Combustor, Alloy HV
50	17183	Combustor, Alloy MV
50	10025724	Down Fired Block & Holder HV
50	10025725	Down Fired Block & Holder MV
60	10002242-2	Flamerod
70	14932	Gasket, Mounting
80	10005	Silicon Carbide Gasket
100	18720	UV Scanner Adapter
110	3997-1	Nozzle, Cast Iron
110	7127-1	Nozzle, Stainless Steel
110	10026925	Nozzle for Flamerod, Cast Iron
110	10026931	Nozzle for Flamerod, Stainless
140	14188-4	Orifice Plate, Natural Gas, 18.0 mm
140	14188-7	Orifice Plate, Propane, 13.0 mm
140	14188-7	Orifice Plate, Butane, 13.0 mm
145	14802-1	Orifice Plate, Air, 57.0 mm
190	14778	O-ring

Ref	Part Number	Description
200	10003	Retaining Ring, SiC
340	15885	Set Screw M6 x 10
340	10024356	Stainless Set Screw M6 x 10
370	10019728	Spark Plug
380	13445	Pressure Tap
N/S	10509	Peepsight
N/S	16022	Screw M8 x 16



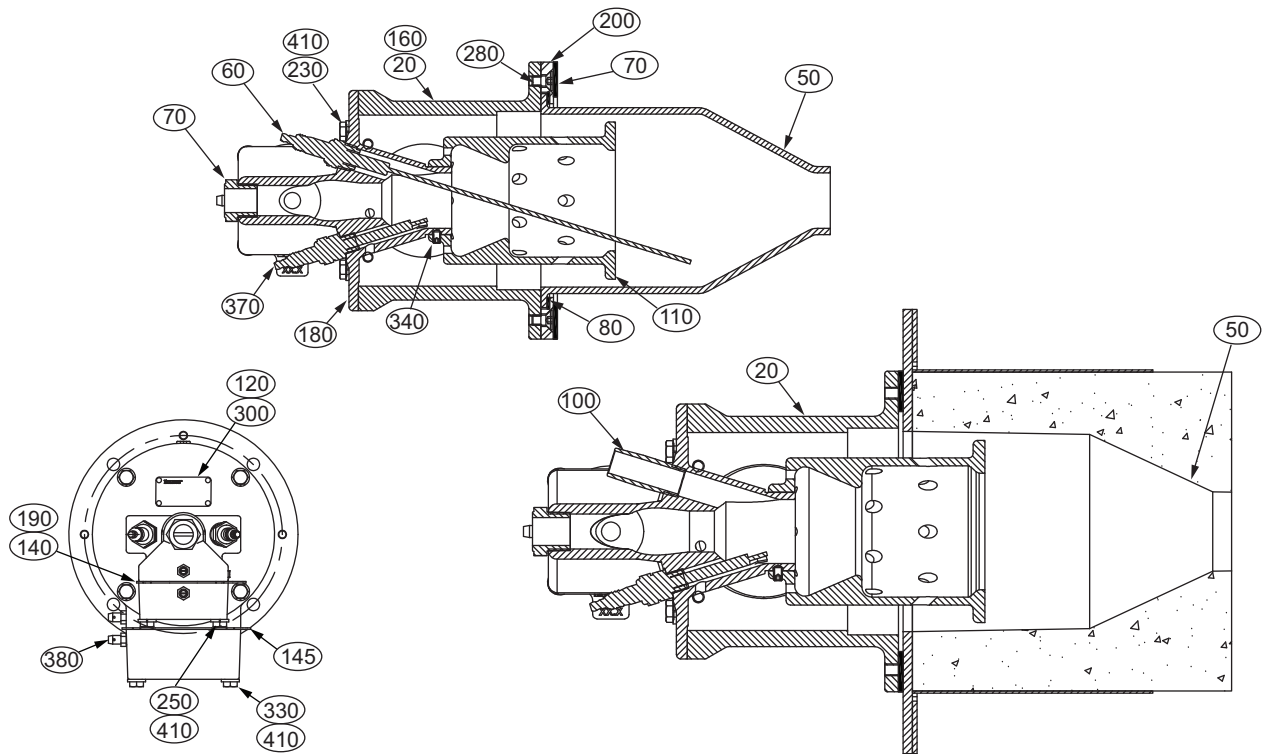
# Eclipse ThermJet Burners

Spare Parts List 205-6

10/31/2012

Model TJ0150

Version 2.7



Ref	Part Number	Description
50	10025722	Down Fired Block and Holder HV
50	10005723	Down Fired Block and Holder MV
50	187299-68	Block and Holder Assembly, HV
50	187298-68	Block and Holder Assembly, MV
50	15214	Combustor, Alloy HV
50	15213	Combustor, Alloy MV
50	15216	Combustor, SiC HV
50	15217	Combustor, SiC MV
60	10002242-2	Flamerod
70	14932	Gasket, Mounting
80	10005	Silicon Carbide Gasket
100	18720	UV Scanner Adapter
110	3997-1	Nozzle, Cast Iron
110	7127-1	Nozzle, Stainless Steel
110	10026925	Nozzle for Flamerod, Cast Iron
110	10026931	Nozzle for Flamerod, Stainless
140	14188-9	Orifice Plate, Natural Gas, 20.0 mm
140	14188-4	Orifice Plate, Propane, 18.0 mm
140	14188-8	Orifice Plate, Butane, 16.0 mm
145	14802-3	Orifice Plate, Air, 66.0 mm
190	14778	O-ring

Ref	Part Number	Description
200	10003	Retaining Ring, SiC
340	15885	Set Screw M6 x 10
340	10024356	Stainless Set Screw M6 x 10
370	10019728	Spark Plug
380	13445	Pressure Tap
N/S	10509	Peepsight
N/S	16022	Screw M8 x 16

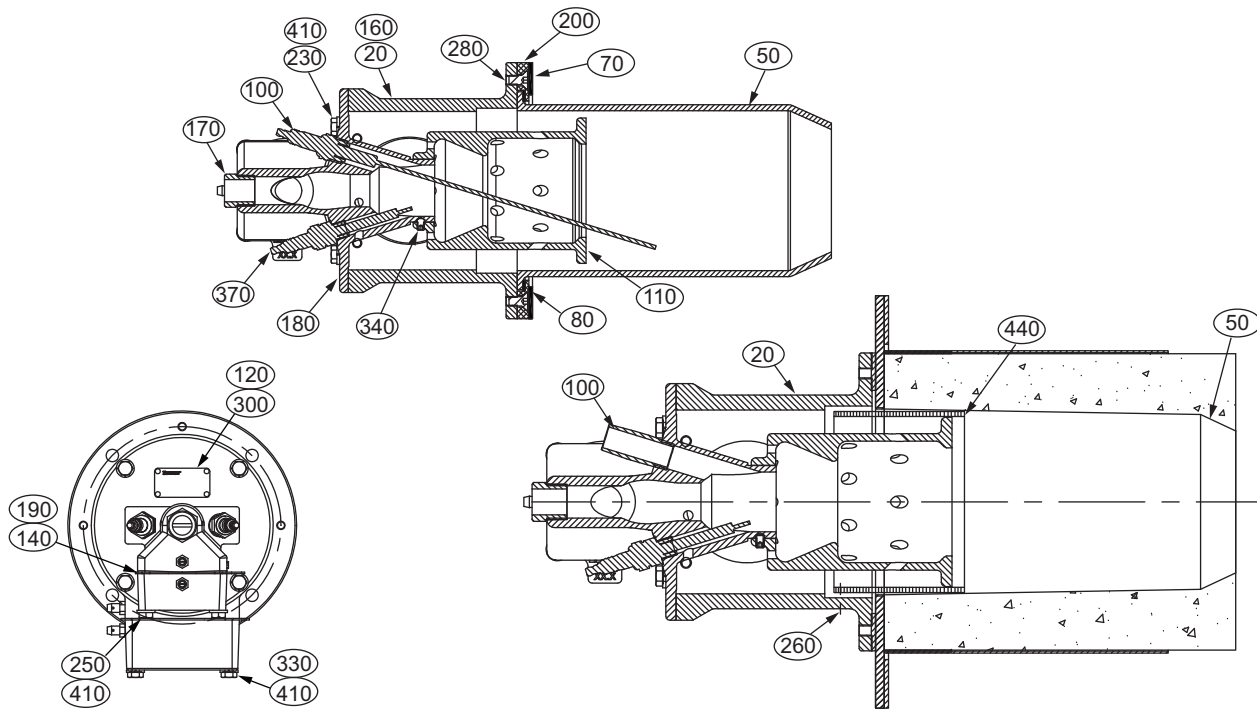
# Eclipse ThermJet Burners

Spare Parts List 205-7

10/31/2012

Model TJ0200

Version 2.7



Ref	Part Number	Description
50	10025720	Down Fired Block and Holder HV
50	10005721	Down Fired Block and Holder MV
50	187316-68	Block and Holder Combustor, HV
50	187317-68	Block and Holder Combustor, MV
50	15260	Combustor, Alloy HV
50	15259	Combustor, Alloy MV
50	15261	Combustor, SiC MV
50	15262	Combustor, SiC HV
70	14932	Gasket, Mounting
80	10005	Silicon Carbide Gasket
100	18720	UV Scanner Adapter
100	10002242-2	Flamerod
110	3997-1	Nozzle, Cast Iron
110	7127-1	Nozzle, Stainless Steel

Ref	Part Number	Description
110	10026925	Nozzle for Flamerod, Cast Iron
110	10026931	Nozzle for Flamerod, Stainless
140	14188-1	Orifice Plate, Natural Gas, 24 mm
140	14188-4	Orifice Plate, Propane, 18 mm
140	14188-4	Orifice Plate, Butane, 18 mm
145	14802-8	Orifice Plate, Air, 70 mm
170	10509	Peepsight
190	14778	O-ring
200	10003	Retaining Ring, SiC
260	16022	Screw, M8x16
340	15885	Set Screw M6 x 10
340	10024356	Stainless Set Screw M6 x 10
370	10019728	Spark Plug
380	13445	Pressure Tap

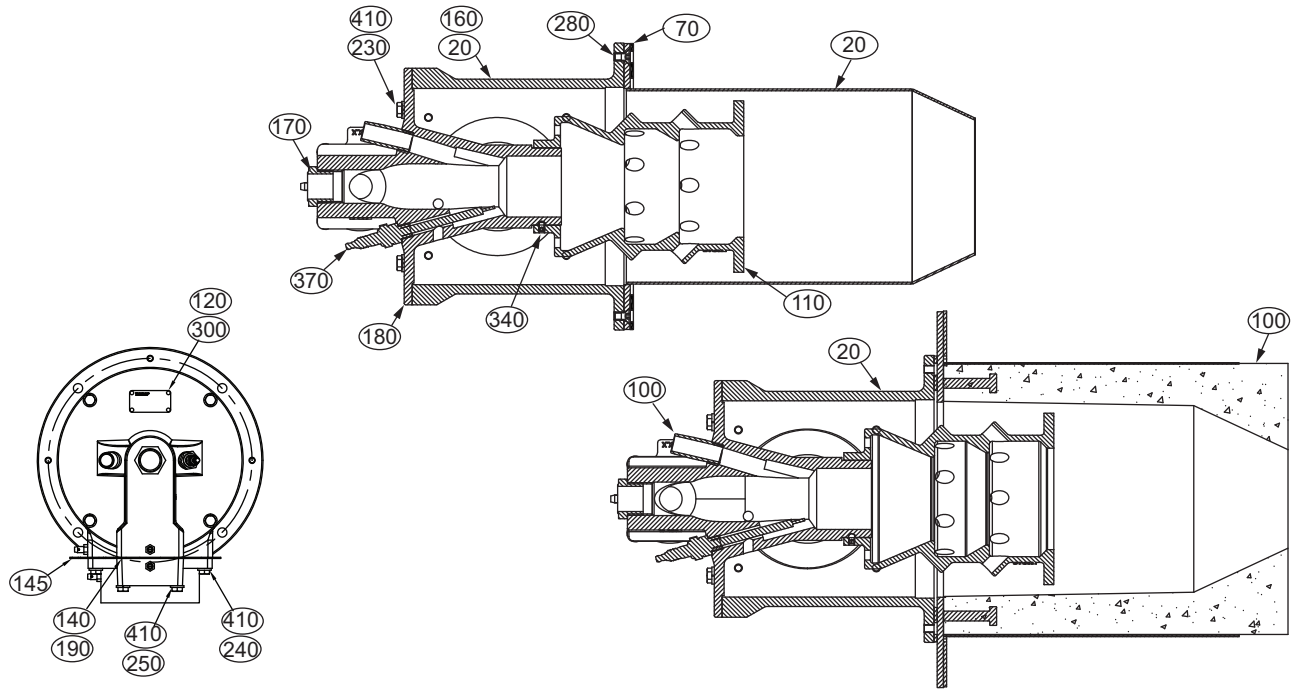
# Eclipse ThermJet Burners

Spare Parts List 205-8

10/31/2012

Model TJ0300

Version 2.7



Ref	Part Number	Description
70	10027	Gasket, Mounting
100	18720	UV Scanner Adapter
110	7038-1	Nozzle, Cast Iron
110	7128-1	Nozzle, Stainless Steel
140	14188-3	Orifice Plate, Natural Gas, 29.0 mm
140	14188-19	Orifice Plate, Propane, 22.5 mm
140	14188-19	Orifice Plate, Butane, 22.5 mm
145	10039-1	Orifice Plate, Air, 90.0 mm
170	13225	Peepsight
190	14778	O-ring
280	10001	Screw FH M8x16
340	15885	Set Screw M6 x 10
340	10024356	Stainless Set Screw M6 x10
370	23045	Spark Plug
N/S	13445	Pressure Tap
N/S	10025718	Down Fired Block and Holder HV
N/S	10025719	Down Fired Block and Holder MV
N/S	187315-68	Block and Holder Assembly, HV
N/S	187314-68	Block and Holder Assembly, MV
N/S	108721	Combustor, Alloy HV
N/S	108721-1	Combustor Alloy

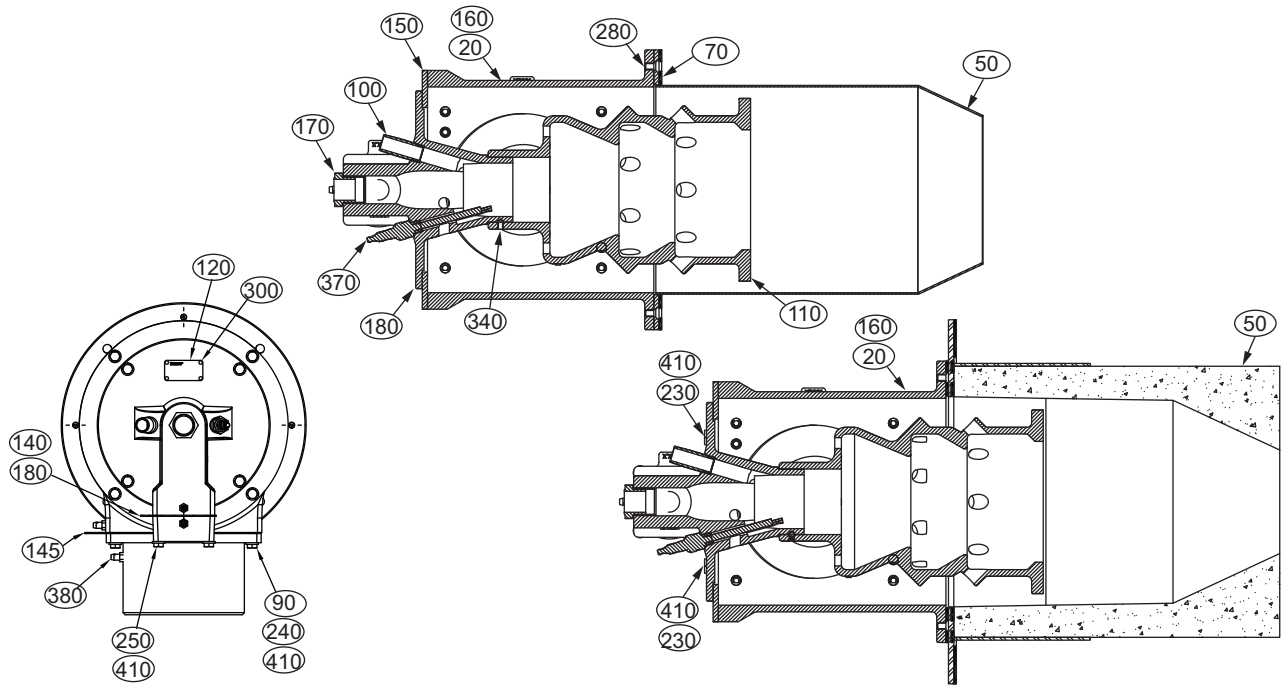
# Eclipse ThermJet Burners

Spare Parts List 205-9

10/31/2012

Model TJ0500

Version 2.7



Ref	Part Number	Description
50	10025716	Down Fired Block and Holder HV
50	10005717	Down Fired Block and Holder MV
50	100015-68	Block and Holder Assembly, HV
50	100016-68	Block and Holder Assembly, MV
50	100042	Combustor, Alloy HV
50	100043	Combustor, Alloy MV
70	20151	Gasket, Mounting
100	18720	UV Scanner Adapter
110	7116-1	Nozzle, Cast Iron
110	7129-1	Nozzle, Stainless Steel
140	14188-5	Orifice Plate, Natural Gas, 37 mm
140	14188-3	Orifice Plate, Propane, 29 mm
140	14188-3	Orifice Plate, Butane, 29 mm
145	20152-1	Orifice Plate, Air, 125 mm
170	13225	Peepsight
190	14778	O-ring
280	10001	Screw FH M8 x 16
340	15885	Set Screw M6 x 10
340	10024356	Stainless Set Screw M6 x 10
370	23045	Spark Plug
380	13445	Pressure Tap

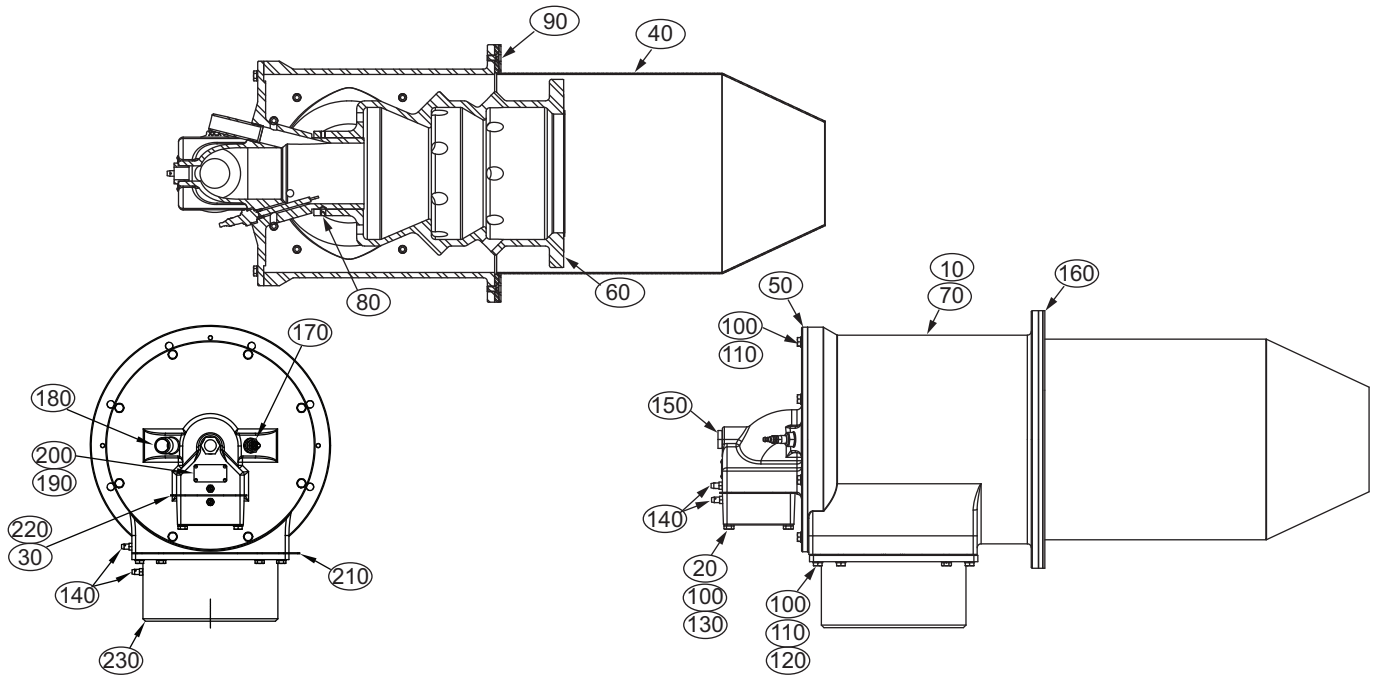
# Eclipse ThermJet Burners

Spare Parts List 205-10

10/31/2012

Model TJ0750

Version 2.7



Ref	Part Number	Description
30	14781	O-ring
40	10025715	Down Fired Block and Holder HV
40	10025712	Down Fired Block and Holder MV
40	10004465-68	Block and Holder Assembly, HV
40	10004466-68	Block and Holder Assembly, MV
40	10003218-1	Combustor, Alloy HV
40	10003218-2	Combustor, Alloy MV
60	10002813-1	Nozzle, Cast Iron
60	10007413-1	Nozzle, Stainless Steel
80	21598	Set Screw M8 x 10
80	10024663	Stainless Set Screw M8
90	10001	Screw FH M8 x 16
140	13445	Pressure Tap
150	10509	Peepsight
160	10002831	Gasket, Mounting
170	23045	Spark Plug
180	18743	UV Scanner Adapter
210	10002627-3	Orifice Plate, Air, 150.0 mm
220	14802-14	Orifice Plate, Natural Gas, 45.0 mm
220	14802-17	Orifice Plate, Propane, 28.0 mm
220	14802-16	Orifice Plate, Butane, 25.0 mm

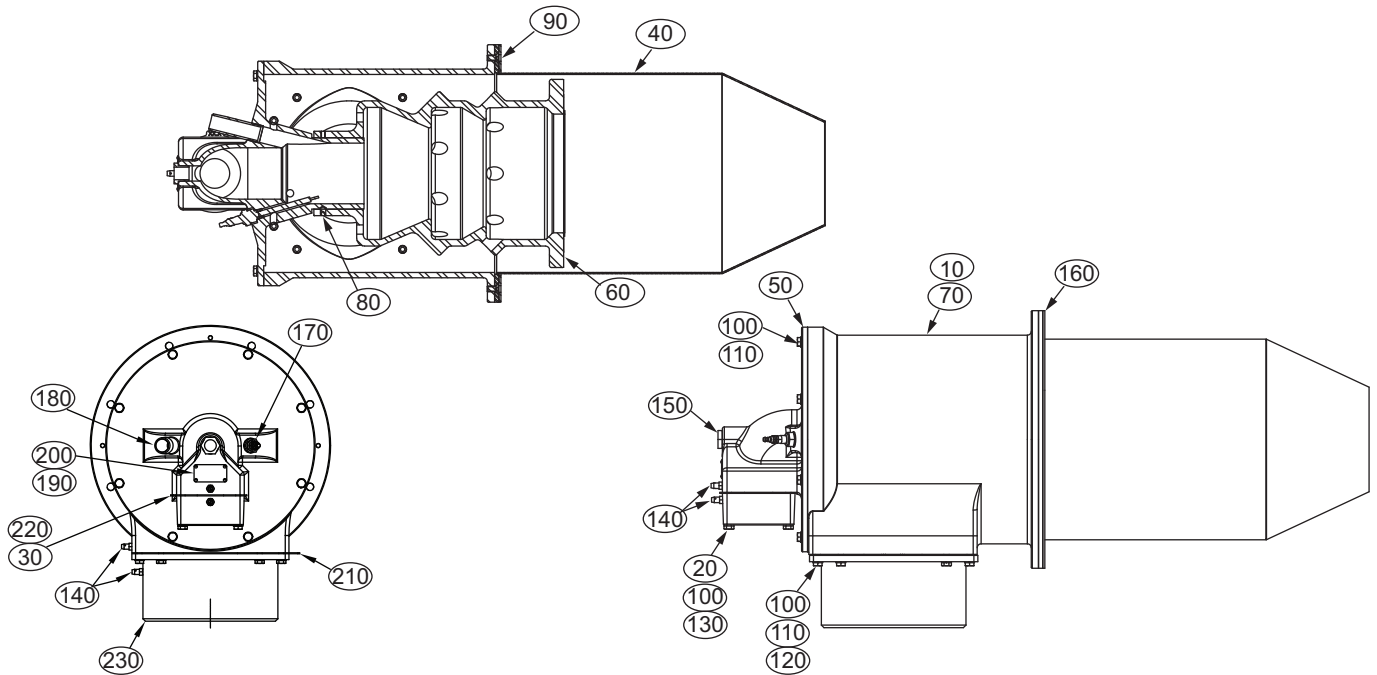
# Eclipse ThermJet Burners

Spare Parts List 205-11

10/31/2012

Model TJ1000

Version 2.7



Ref	Part Number	Description
30	14781	O-ring
40	10025712	Down Fired Block and Holder HV
40	10025713	Down Fired Block and Holder MV
40	10004466-68	Block and Holder Assembly, HV
40	10004467-68	Block and Holder Assembly, MV
40	10003218-2	Combustor, Alloy HV
40	10003218-3	Combustor, Alloy MV
60	10002813-1	Nozzle, Cast Iron
60	10007413-1	Nozzle, Stainless Steel
80	21598	Set Screw M8 x 10
80	10024663	Stainless Set Screw
90	10001	Screw FH
140	13445	Pressure Tap
150	10509	Peepsight
160	10002831	Gasket, Mounting
170	23045	Spark Plug
180	18743	UV Scanner Adapter
210	10002627-2	Orifice Plate, Air, 155.0 mm
220	14802-15	Orifice Plate, Natural Gas, 52.0 mm
220	14802-19	Orifice Plate, Propane, 33.0 mm
220	14802-18	Orifice Plate, Butane, 29.0 mm

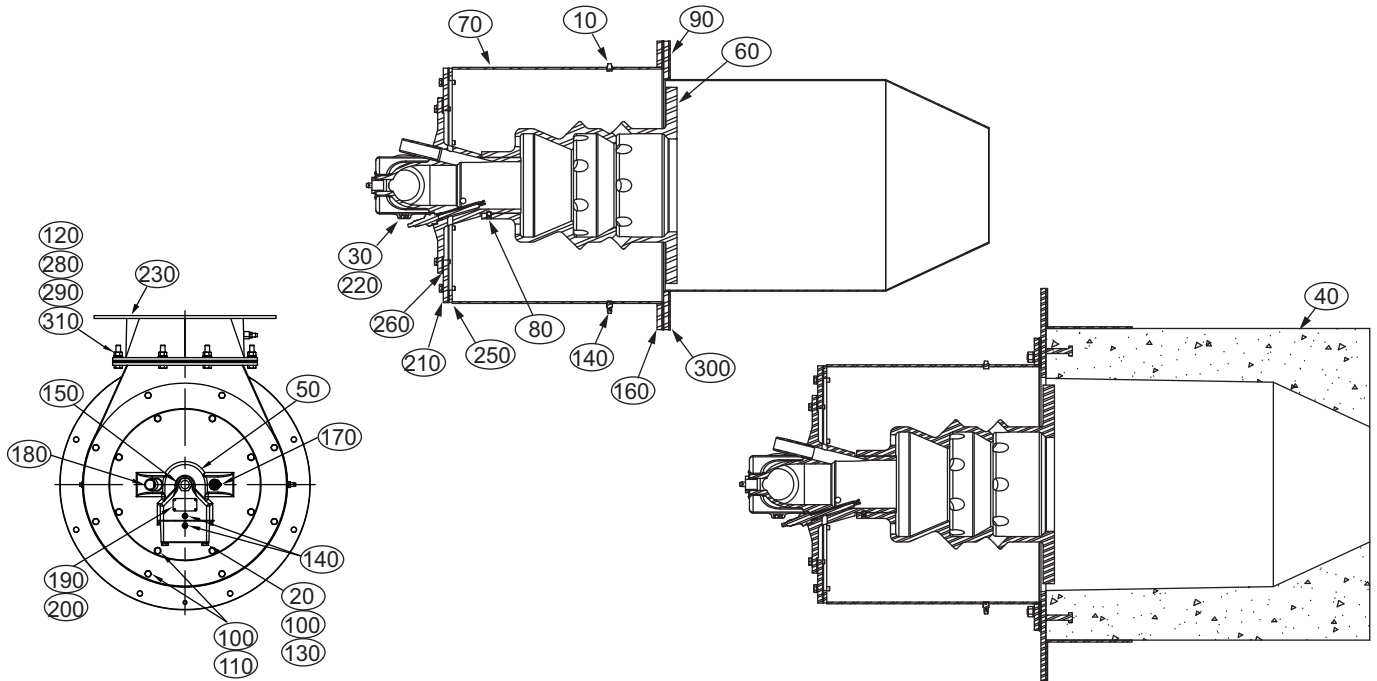
# Eclipse ThermJet Burners

Spare Parts List 205-12

10/31/2012

Model TJ1500

Version 2.7



Ref	Part Number	Description
30	14781	O-ring
40	10025711	Down Fired Block and Holder HV
40	10025710	Down Fired Block and Holder MV
40	10007035-68	Block and Holder Assembly, HV
40	10007632-68	Block and Holder Assembly, MV
40	10005394-1	Combustor, Alloy HV
40	10007168	Combustor, Alloy MV
60	10006112	Nozzle, Cast Iron
60	10007512	Nozzle, Stainless Steel
80	21598	Set Screw
80	10024663	Stainless Set Screw
90	21587	Screw FH
140	13445	Pressure Tap
150	10509	Peepsight
160	10006940	Gasket, Alloy Tube, Body
170	23045	Spark Plug
180	18743	UV Scanner Adapter
210	10005107-1	Orifice Plate, Air
220	14802-4	Orifice Plate, Natural Gas
220	14802-20	Orifice Plate, Propane
220	14802-19	Orifice Plate, Butane
250	10007000	Gasket Body, Adapter Plate

Ref	Part Number	Description
260	10007002	Gasket Rear Cover
300	10007206	Gasket, Mounting
N/S	10006989	Gasket, Air Inlet

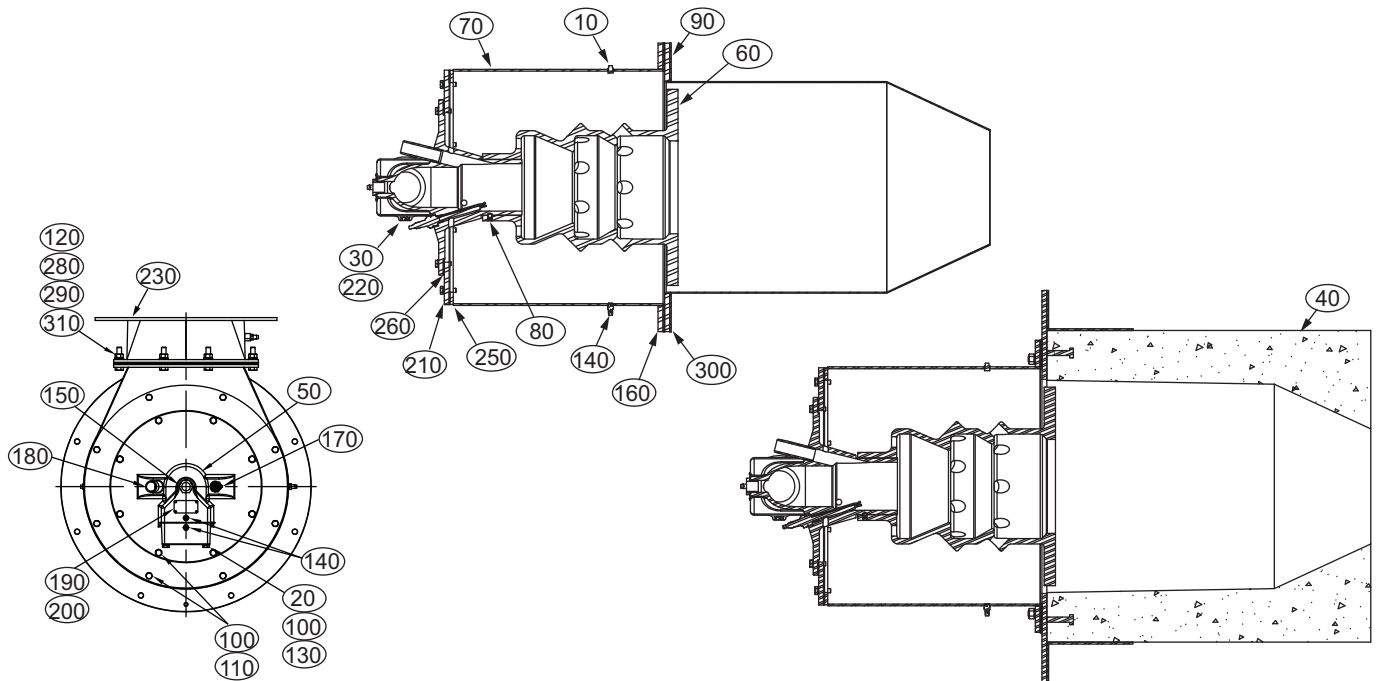
# Eclipse ThermJet Burners

Spare Parts List 205-13

10/31/2012

Model TJ2000

Version 2.7



Ref	Part Number	Description
30	14781	O-ring
40	10025708	Down Fired Block and Holder HV
40	10025710	Down Fired Block and Holder MV
40	10007036-68	Block and Holder Assembly, HV
40	10007632-68	Block and Holder Assembly, MV
40	10005394-2	Combustor, Alloy HV
40	10007168	Combustor, Alloy MV
60	10006112	Nozzle, Cast Iron
60	10007512	Nozzle, Stainless Steel
80	21598	Set Screw
80	10024663	Stainless Set Screw
90	21587	Screw FH
140	13445	Pressure Tap
150	10509	Peepsight
160	10006940	Gasket, Alloy Tube, Body
170	23045	Spark Plug
180	18743	UV Scanner Adapter
210	10005107-4	Orifice Plate, Air
220	14802-7	Orifice Plate, Natural Gas
220	14802-13	Orifice Plate, Propane
220	14802-20	Orifice Plate, Butane
250	10007000	Gasket Body, Adapter Plate

Ref	Part Number	Description
260	10007002	Gasket Rear Cover
300	10007206	Gasket, Mounting
N/S	10006989	Gasket, Air Inlet